

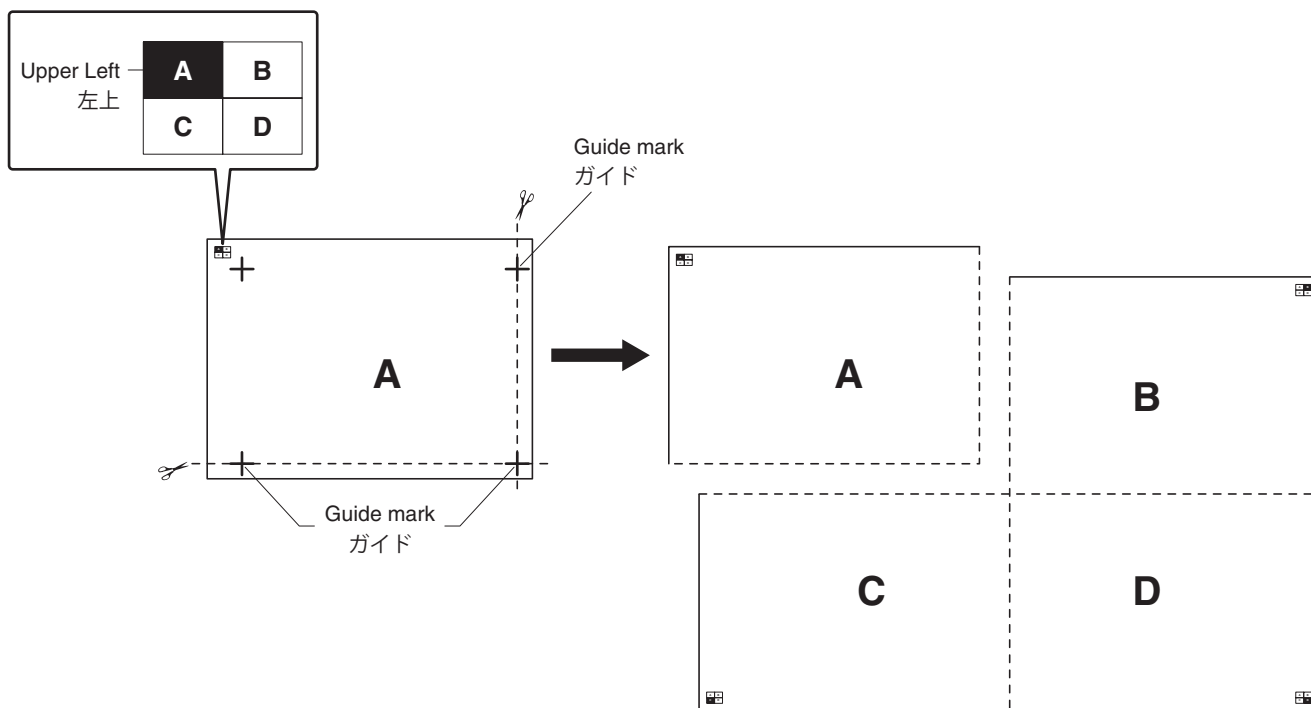
# AV RECEIVER

# RX-V567/HTR-5063

## SCHEMATIC DIAGRAMS

Each schematic diagram is divided into equal pieces to enable printout by conventional printers.  
Cut along the guide marks and put them together.  
Overall location of each schematic diagram is described by the following symbol.

各回路図は、一般的に使用されているプリンタで印刷できる大きさに分割されています。  
印刷した各回路図を、ガイドに沿って切って貼り合わせてください。  
各回路図の張り合わせ位置は以下の記号で表しています。



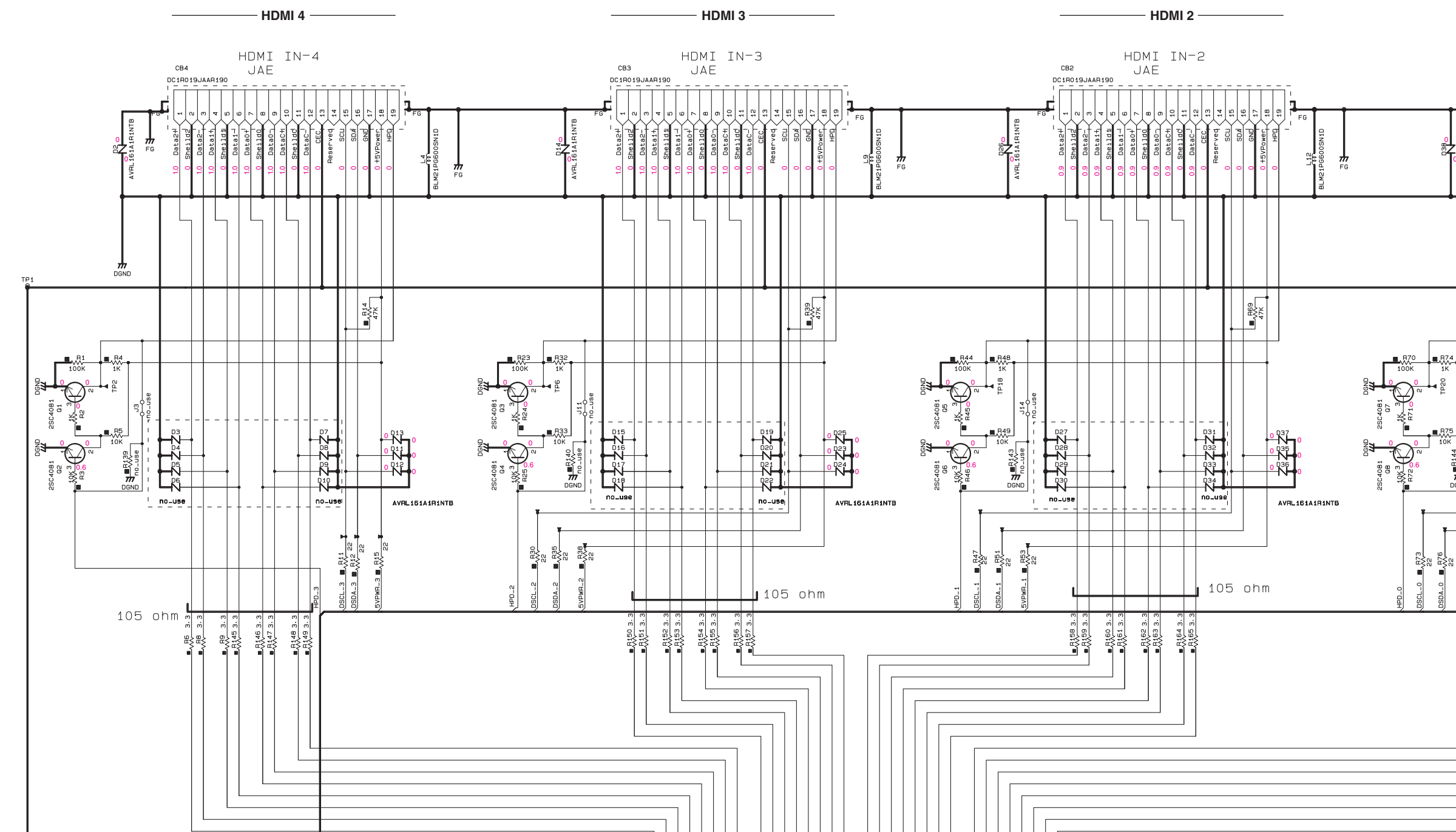
### ■ CONTENTS

#### SCHEMATIC DIAGRAMS

DIGITAL Board .....	93-97
OPERATION Board .....	98-99
MAIN Board .....	100-101
VIDEO Board .....	102-104

■ SCHEMATIC DIAGRAMS  
DIGITAL 1/5

1  
2  
3  
4  
5



GPIO使用候補  
GP0/XCL: XCLKOUT  
GP1/SCD: RX\_AUSEL  
GP2/EVN: RX\_VSEL  
GP3/MTO: MTDOUT  
GP104: HDMI\_LED  
GP105: RSVD  
GP6/DL3: DL3  
GP7/OR3: DR3

HDMI Rx and CEC

HDMI Receiver  
SII9233ACTU

Y1A196B0  
3.3V: 316mA  
1.2V: 472mA

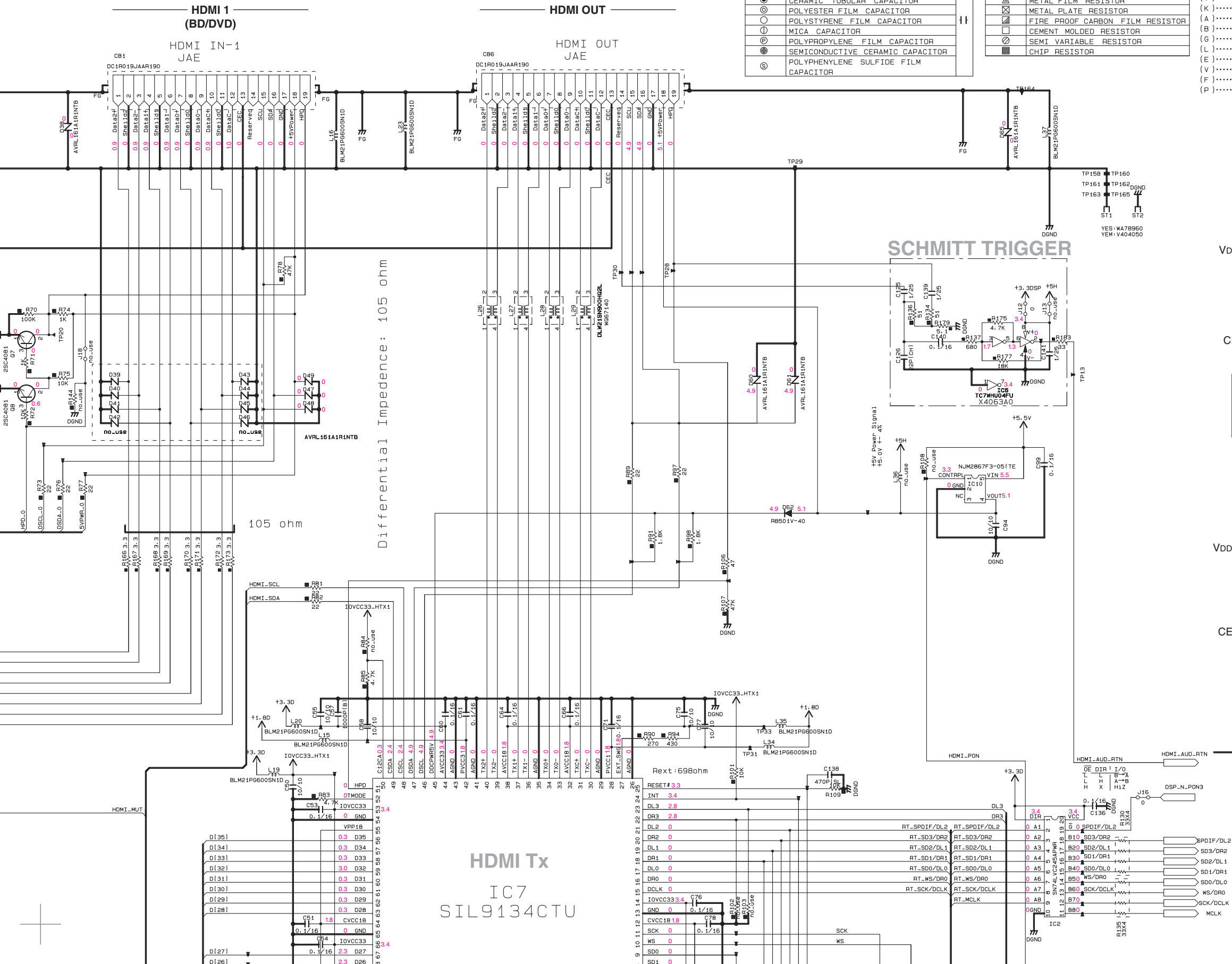
AVCC33 3.4	AVCC33 3.4	AVCC12 1.3	AVCC12 1.3
GPIO3/MUTEOUT 0	GPIO3/MUTEOUT 0	GPIO104 0	GPIO104 0
SPDIF/DL2 0	SPDIF/DL2 0	SPDIF/DL2 0	SPDIF/DL2 0
MCLK 0	MCLK 0	MCLK 0	MCLK 0
SD3/DR2 0	SD3/DR2 0	SD3/DR2 0	SD3/DR2 0
SD2/DL1 0	SD2/DL1 0	SD2/DL1 0	SD2/DL1 0
SD1/DR1 0	SD1/DR1 0	SD1/DR1 0	SD1/DR1 0
SD0/DL0 0	SD0/DL0 0	SD0/DL0 0	SD0/DL0 0
SCK/DCLK 0	SCK/DCLK 0	SCK/DCLK 0	SCK/DCLK 0
WS/DRO 0	WS/DRO 0	WS/DRO 0	WS/DRO 0
IOVCC33 3.4	IOVCC33 3.4	IOVCC33 3.4	IOVCC33 3.4
CVCC12 1.3	CVCC12 1.3	CVCC12 1.3	CVCC12 1.3
00 23 R60 33X4	00 23 R60 33X4	01 23 R61 33X4	01 23 R61 33X4
02 23 R62 33X4	02 23 R62 33X4	03 23 R63 33X4	03 23 R63 33X4
04 23 R64 33X4	04 23 R64 33X4	05 23 R65 33X4	05 23 R65 33X4

RX-V567/HTR-5063

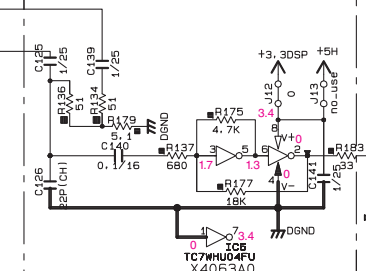
CAPACITOR	
REMARKS	PARTS NAME
NO MARK	ELECTROLYTIC CAPACITOR
⊗	TANTALUM CAPACITOR
NO MARK	CERAMIC CAPACITOR
⊙	CERAMIC TUBULAR CAPACITOR
⊖	POLYESTER FILM CAPACITOR
○	POLYSTYRENE FILM CAPACITOR
Ⓜ	MICA CAPACITOR
Ⓢ	POLYPROPYLENE FILM CAPACITOR
Ⓜ	SEMICONDUCTIVE CERAMIC CAPACITOR
Ⓢ	POLYPHENYLENE SULFIDE FILM CAPACITOR

RESISTOR	
REMARKS	PARTS NAME
NO MARK	CARBON FILM RESISTOR (P=5)
⊠	CARBON FILM RESISTOR (P=10)
△	METAL OXIDE FILM RESISTOR
⊠	METAL FILM RESISTOR
⊠	METAL PLATE RESISTOR
⊠	FIRE PROOF CARBON FILM RESISTOR
⊠	CEMENT MOLDED RESISTOR
⊠	SEMI VARIABLE RESISTOR
⊠	CHIP RESISTOR

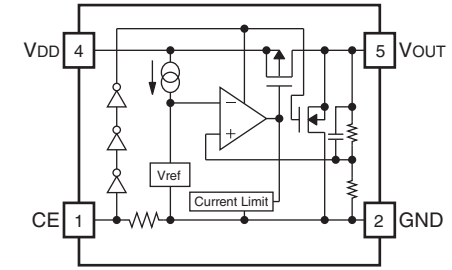
NOTICE (model)  
 (J)..... JAPAN  
 (U)..... U.S.A  
 (C)..... CANADA  
 (R)..... GENERAL  
 (T)..... CHINA  
 (K)..... KOREA  
 (A)..... AUSTRALIA  
 (B)..... BRITISH  
 (G)..... EUROPE  
 (L)..... SINGAPORE  
 (E)..... SOUTH EUROPE  
 (V)..... TAIWAN  
 (F)..... RUSSIAN  
 (P)..... LATIN AMERICA



SCHMITT TRIGGER

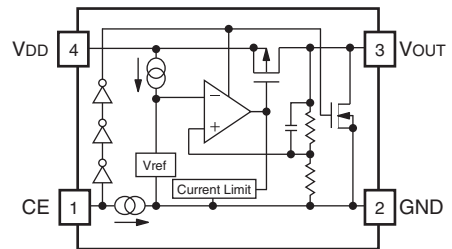


IC13: R1172H501D-T1-F Voltage regulator



Pin No.	Symbol	Description
1	CE	Chip Enable Pin ("H" Active)
2	GND	Ground Pin
3	NC	No Connection
4	VDD	Input Pin
5	VOUT	Output Pin

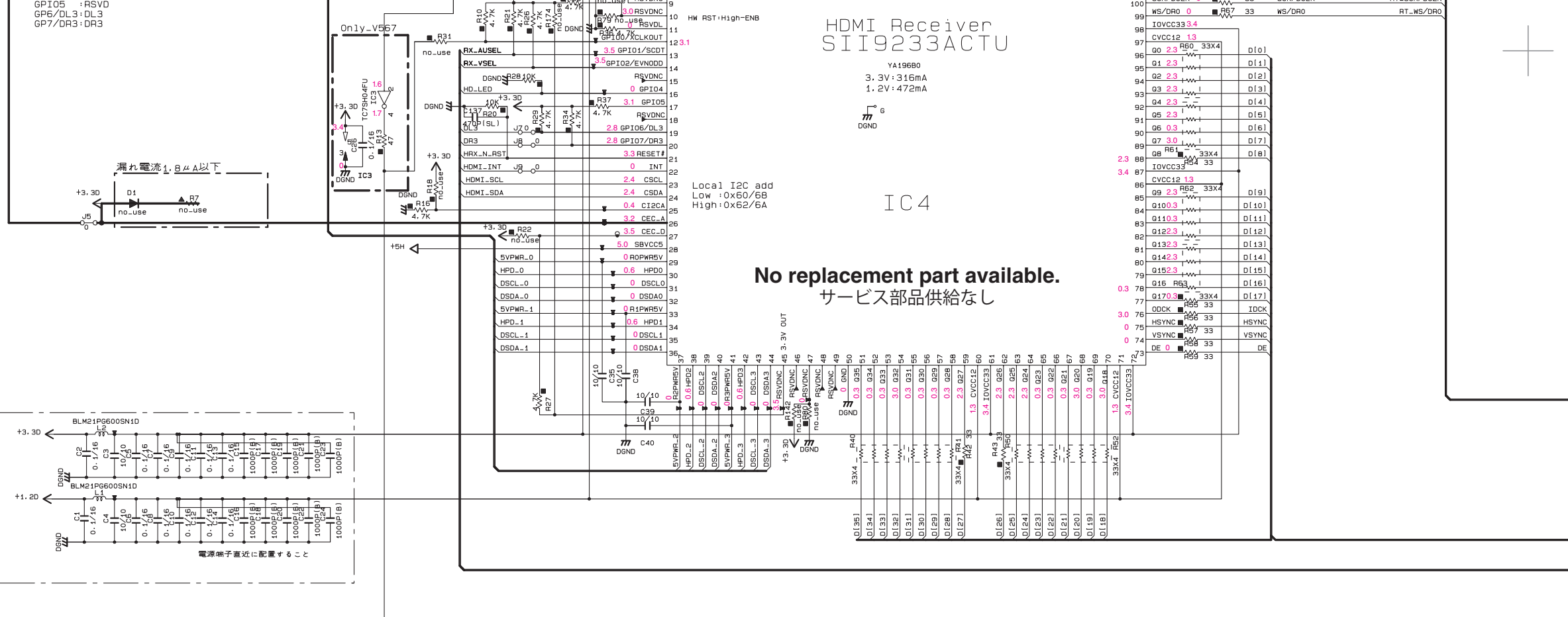
IC14: RP130Q501D-TR-F Voltage regulator



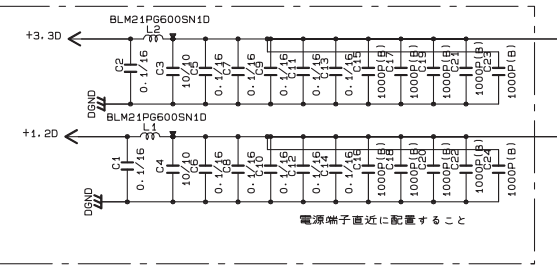
Pin No.	Symbol	Description
1	CE	Chip Enable Pin ("H" Active)
2	GND	Ground Pin
3	VOUT	Output Pin
4	VDD	Input Pin

To 003\_Sht (DSP) To DIGITAL 3/5

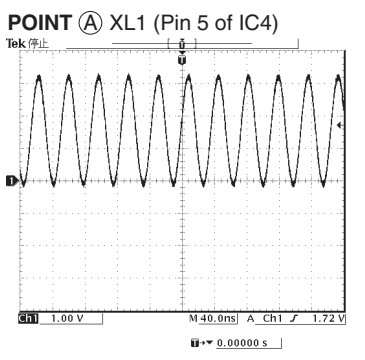
6



7

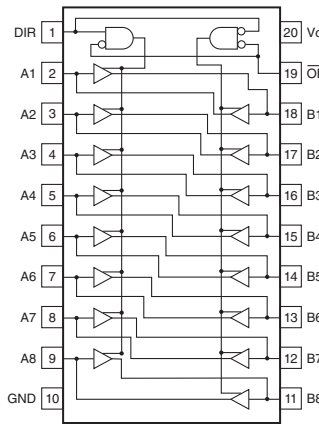


8

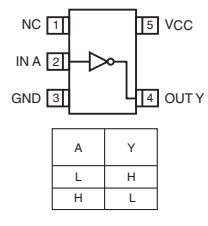


9

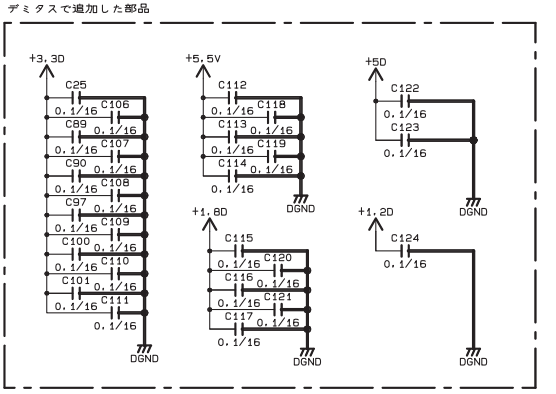
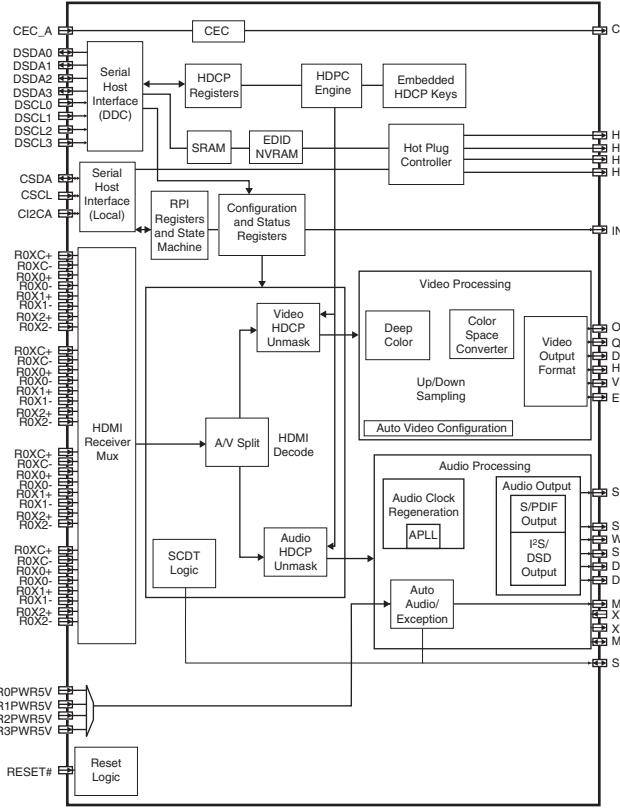
**IC2: SN74LVC245APWR**  
 Octal bus transceivers with 3-state outputs



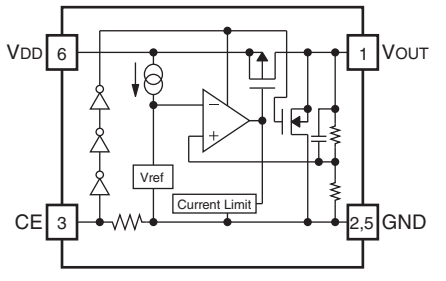
**IC3: TC7SH04FU-TE85L**  
 Inverter



**IC4: SiI9233ACTU**  
 HDMI receiver

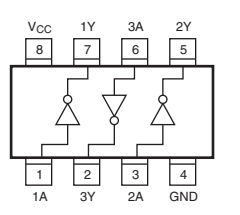


**IC5: R1172S121D-E2-F**  
 Voltage regulator

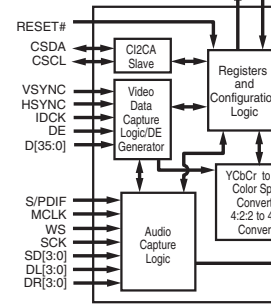


Pin No.	Symbol	Description
1	Vout	Output Pin of Voltage Regulator
2, 5	GND	Ground Pin
3	CE	Chip Enable Pin
4	NC	No Connection
6	Vdd	Input Pin

**IC6: TC7WHU04FU**  
 Triple inverter



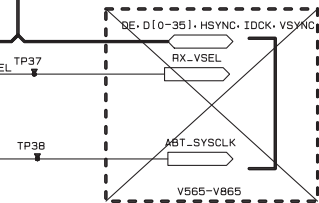
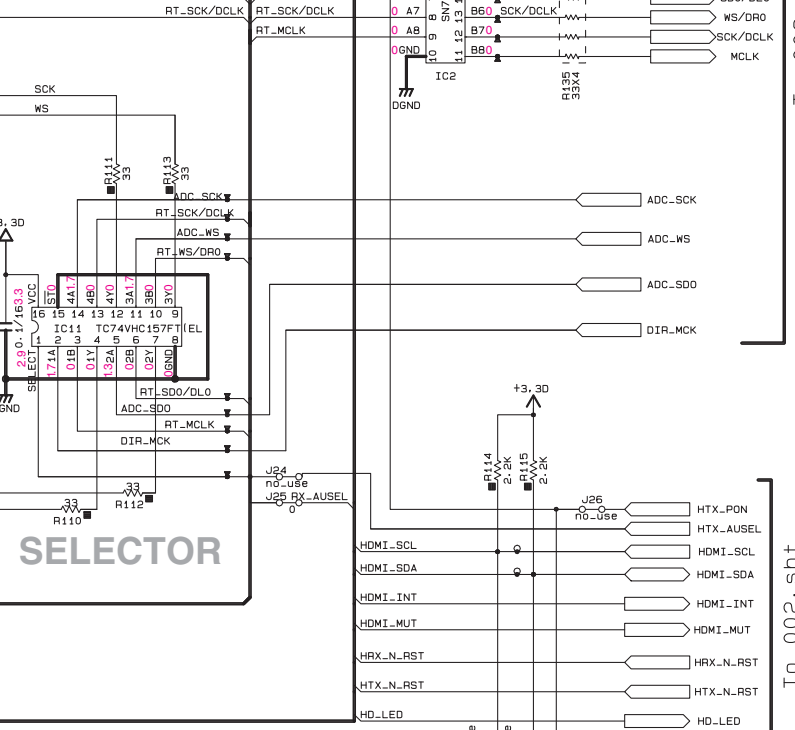
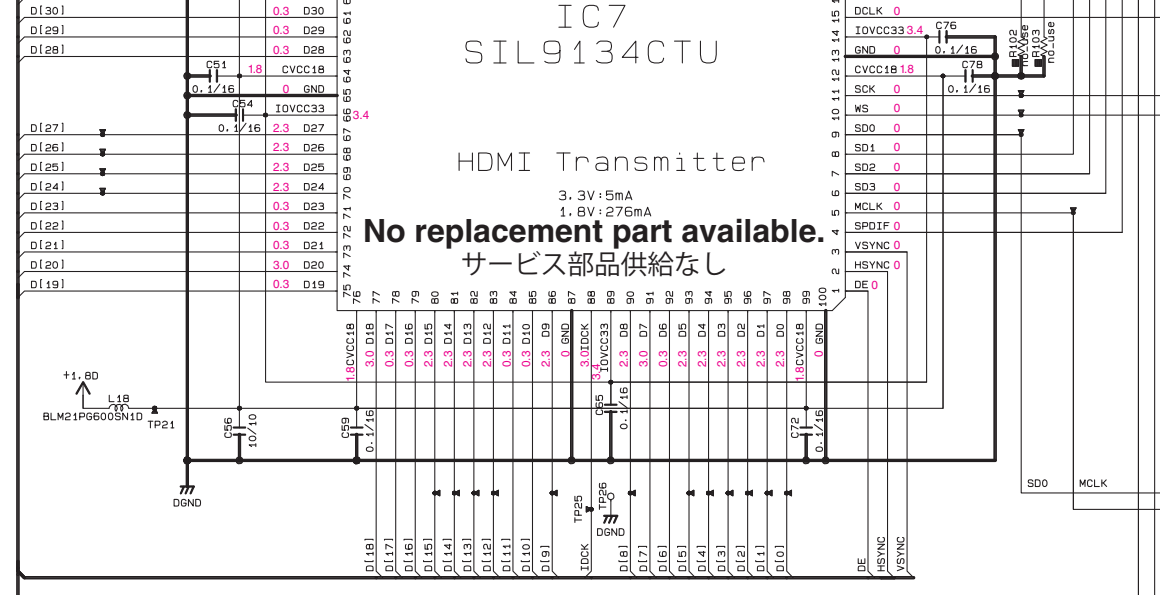
**IC7: SiI9134CTU**  
 HDMI transmitter



RX-V567/HTR-5063

A	B
C	D

DIGITAL 1/5

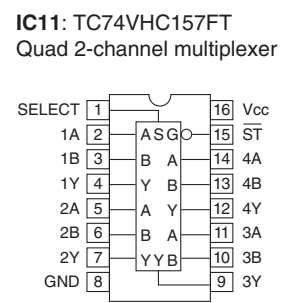
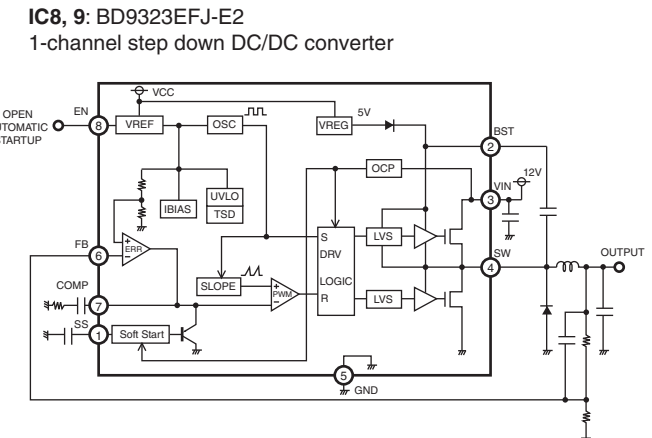
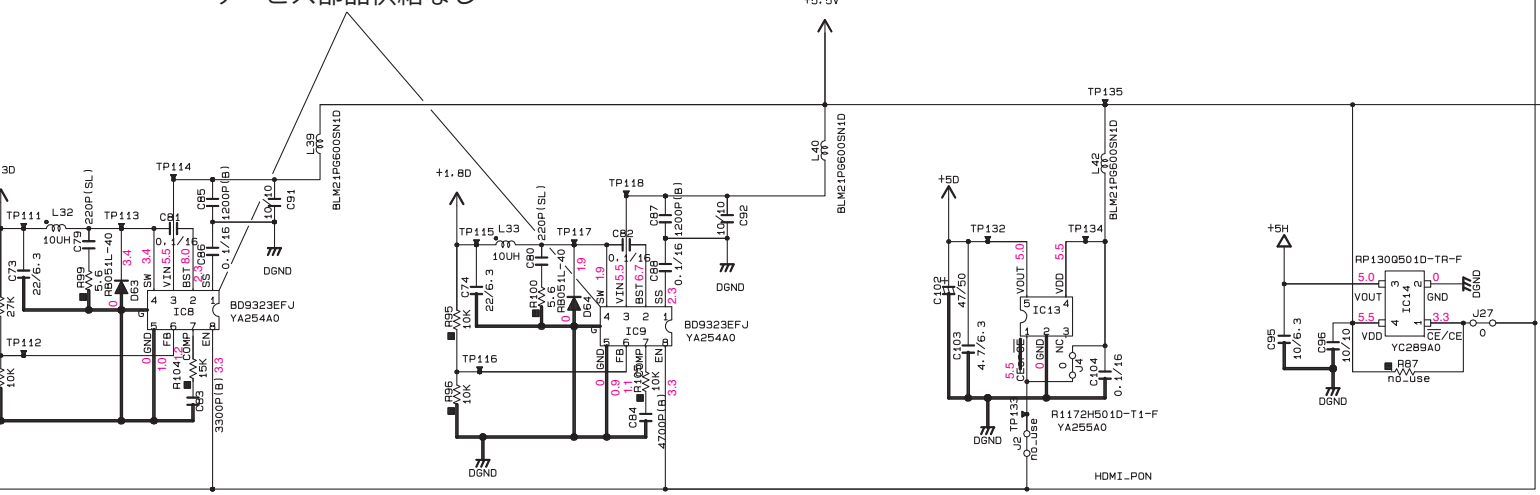


TC74VHC157FT

Vcc: 2.0 - 5.5V  
ViH: > 0.7\*Vcc  
ViL: < 0.3\*Vcc

/ST	SEL	I	I=0
L	L	Y	A
L	H	Y	B
H	X	HiZ	

No replacement part available.  
サービス部品供給なし



- ★ All voltages are measured with a 10MΩ/V DC electronic voltmeter.
- ★ Components having special characteristics are marked Δ and must be replaced with parts having specifications equal to those originally installed.
- ★ Schematic diagram is subject to change without notice.

- 電圧は、内部抵抗 10MΩの電圧計で測定したものです。
- Δ印のある部品は、安全性確保部品を示しています。部品の交換が必要な場合、パーツリストに記載されている部品を使用してください。
- 本回路図は標準回路図です。改良のため予告なく変更することがあります。

Page 104 18  
to VIDEO (3)\_W3801

A	B
C	D

A	B
C	D

RX-V567/HTR-5063

DIGITAL 2/5

Page 98 H9

to OPERATION (1)\_CB401

Page 100 K7

to MAIN (5)\_CB157

Page 101 K8

to MAIN (1)\_CB156

Page 104 I9

to VIDEO (3)\_CB382

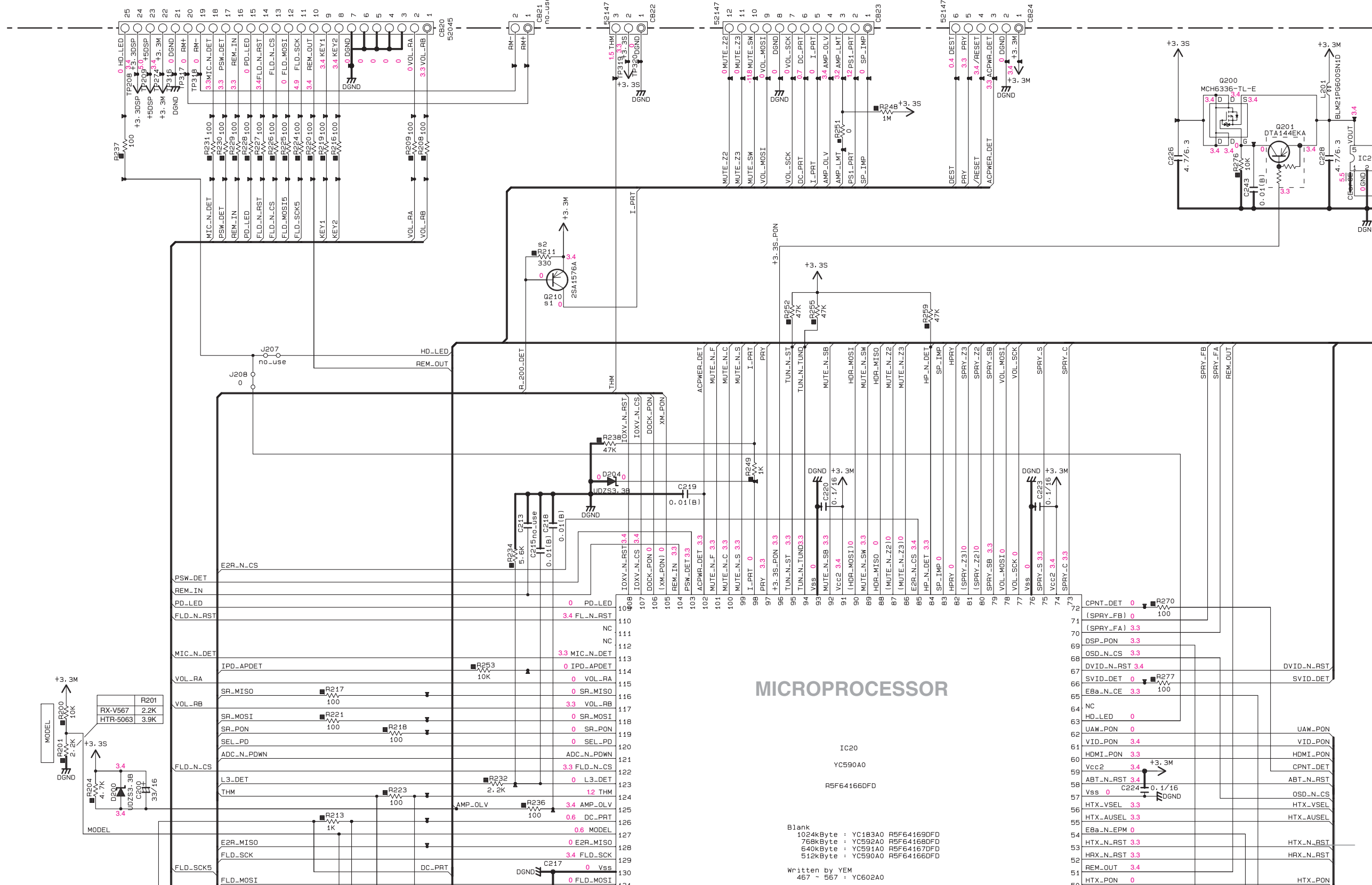
to OPE(1)

to RMT

to THM

to MAIN

to SUB TR



MICROPROCESSOR

Blank  
 1024kByte : YC183A0 R5F641690FD  
 768kByte : YC592A0 R5F641680FD  
 540kByte : YC591A0 R5F641670FD  
 512kByte : YC590A0 R5F641660FD

Written by YEM  
 467 - 567 : YC602A0

1

2

3

4

5

H

I

J

K

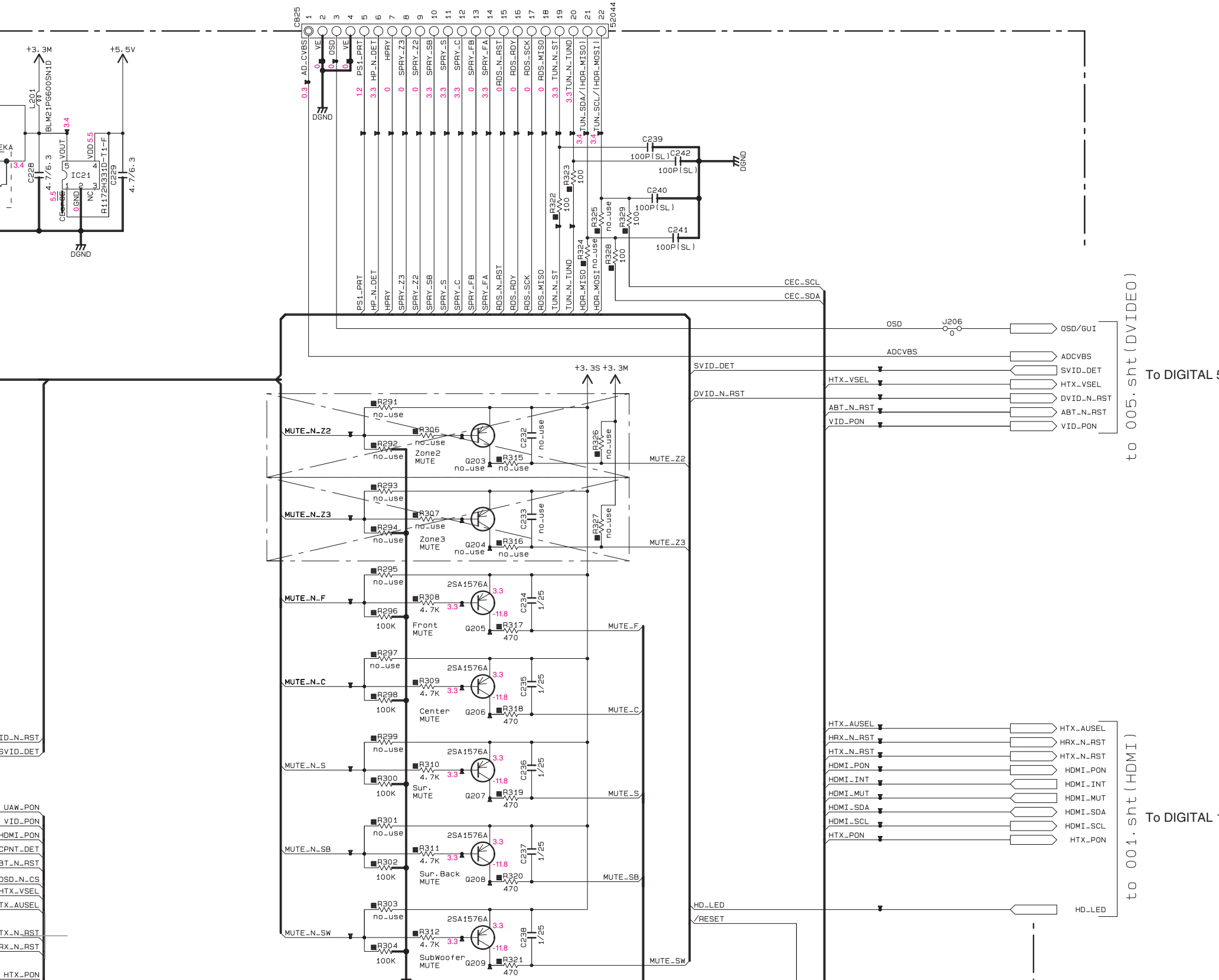
L

M

N

Page 103 G8  
to VIDEO (1)\_CB349

to VIDEO



CAPACITOR

REMARKS	PARTS NAME	
NO MARK	ELECTROLYTIC CAPACITOR	⏏
⊗	TANTALUM CAPACITOR	
NO MARK	CERAMIC CAPACITOR	
⊙	CERAMIC TUBULAR CAPACITOR	
⊖	POLYESTER FILM CAPACITOR	
○	POLYSTYRENE FILM CAPACITOR	⏏
Ⓜ	MICA CAPACITOR	
Ⓟ	POLYPROPYLENE FILM CAPACITOR	
Ⓢ	SEMICONDUCTIVE CERAMIC CAPACITOR	
Ⓣ	POLYPHENYLENE SULFIDE FILM CAPACITOR	

RESISTOR

REMARKS	PARTS NAME	
NO MARK	CARBON FILM RESISTOR (P=5)	
⊠	CARBON FILM RESISTOR (P=10)	
△	METAL OXIDE FILM RESISTOR	
▲	METAL FILM RESISTOR	
⊞	METAL PLATE RESISTOR	
⊚	FIRE PROOF CARBON FILM RESISTOR	
□	CEMENT MOLDED RESISTOR	
⊕	SEMI VARIABLE RESISTOR	
■	CHIP RESISTOR	

NOTICE (mode1)  
 (J)..... JAPAN  
 (U)..... U.S.A  
 (C)..... CANADA  
 (R)..... GENERAL  
 (T)..... CHINA  
 (K)..... KOREA  
 (A)..... AUSTRALIA  
 (B)..... BRITISH  
 (G)..... EUROPE  
 (L)..... SINGAPORE  
 (E)..... SOUTH EUROPE  
 (V)..... TAIWAN  
 (F)..... RUSSIAN  
 (P)..... LATIN AMERICA

to 005.sht (DVIDEO)

to 001.sht (HDMI)

To DIGITAL 5/5

To DIGITAL 1/5

6

7

8

9

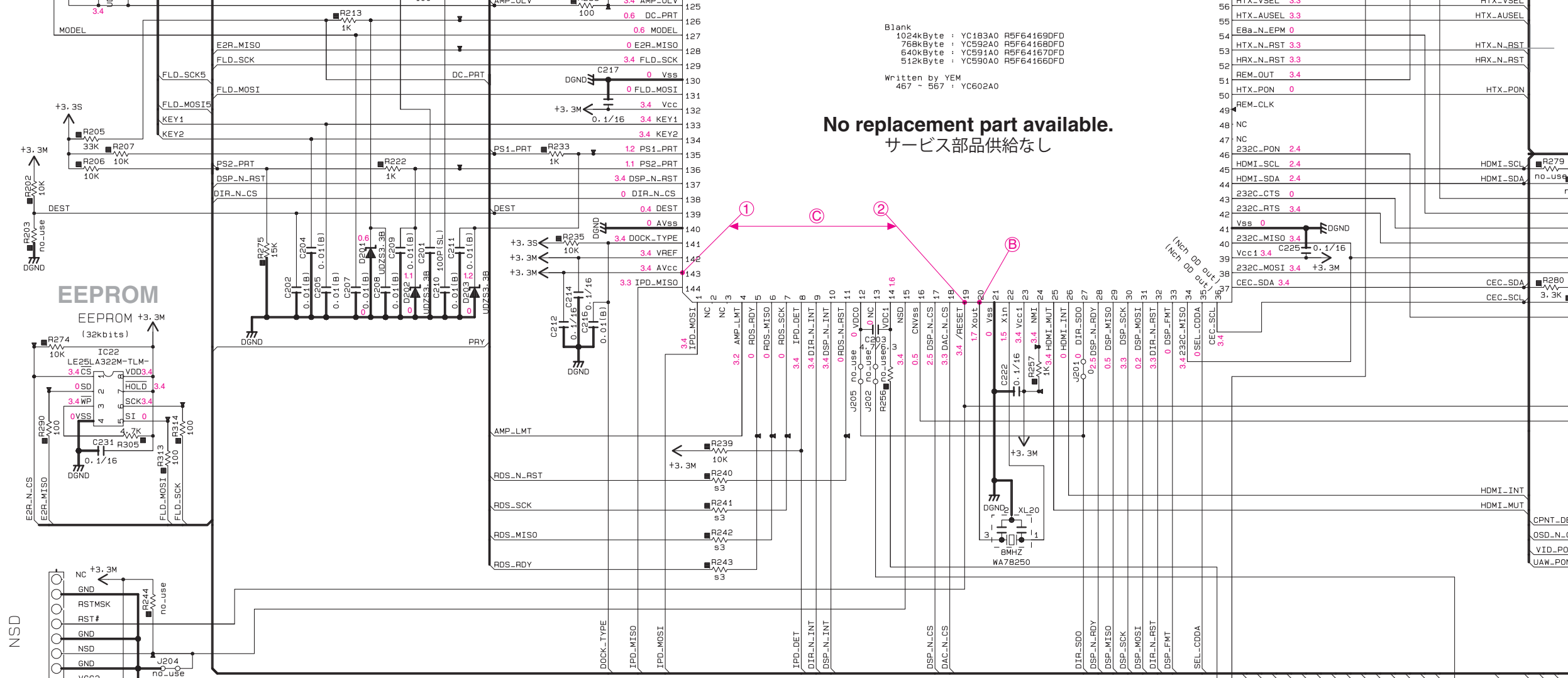
10

94

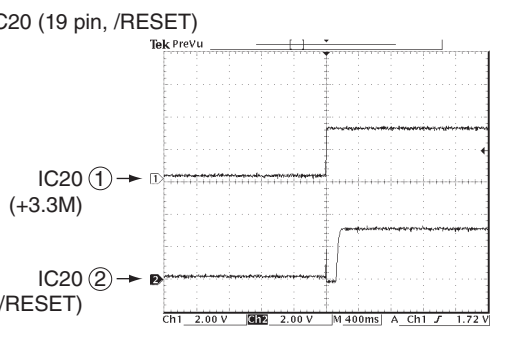
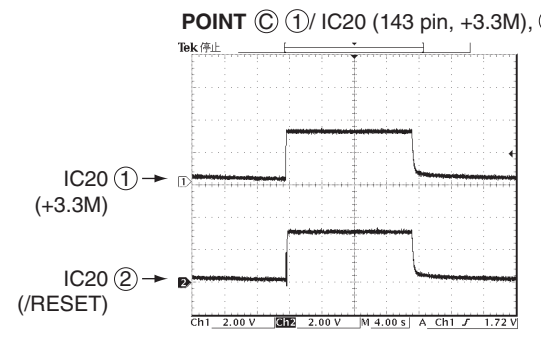
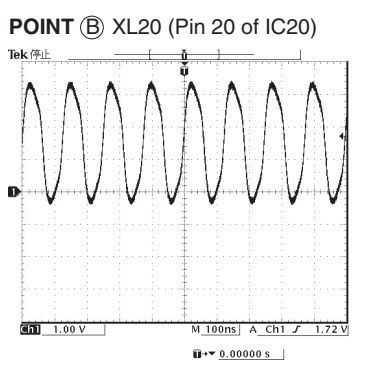
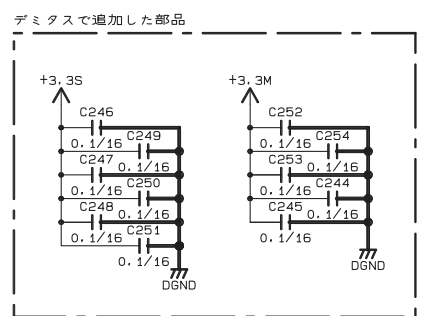
RX-V567/HTR-5063

A	B
C	D

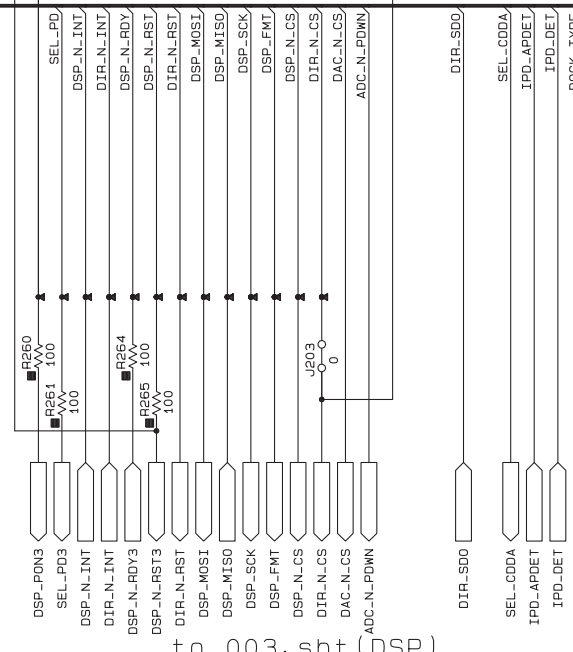
DIGITAL 2/5



No replacement part available.  
サービス部品供給なし



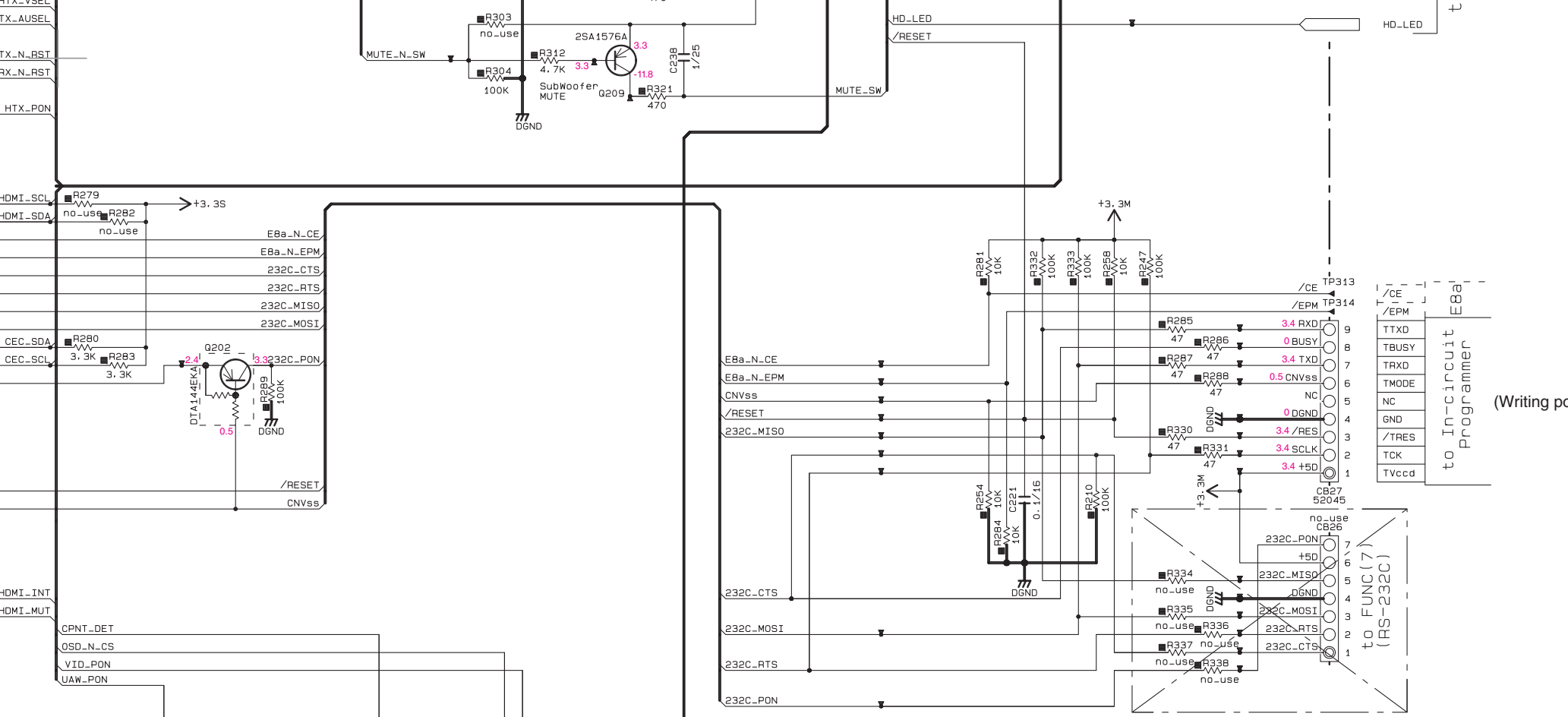
AC POWER ON (Connect the power cable)      AC POWER OFF (Disconnect the power cable)      AC POWER ON (Connect the power cable)



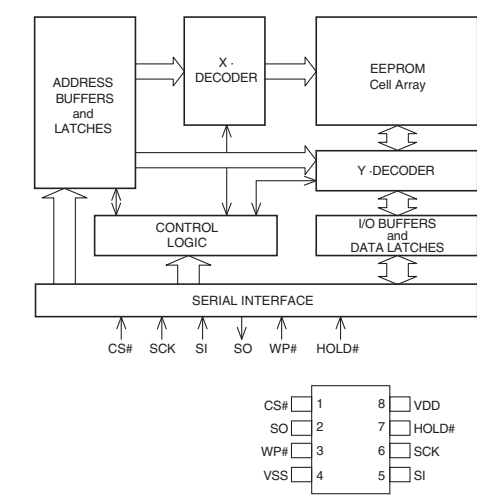
to 003.sht (DSP)

To DIGITAL 3/5

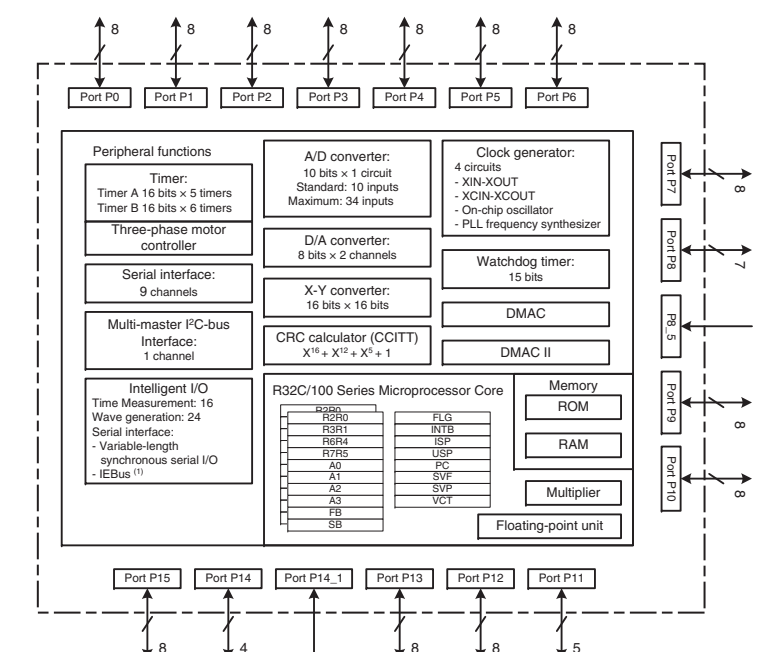




**IC22: LE25LA322M-TLM-E**  
32 k-bit serial SPI EEPROM

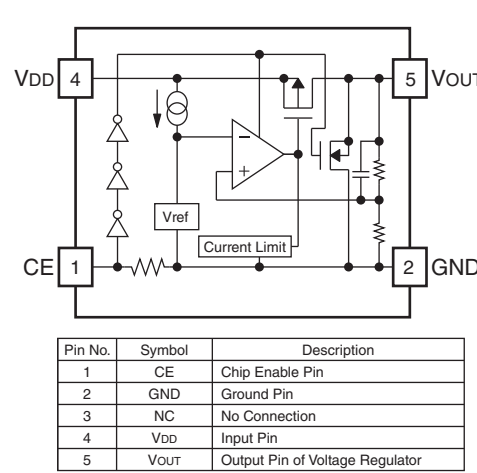


**IC20: R5F64166DFD**  
Single chip 32-bit microprocessor



Note: 1. IEBus is a trademark of NEC Electronics Corporation.

**IC21: R1172H331D-T1-F**  
Voltage regulator



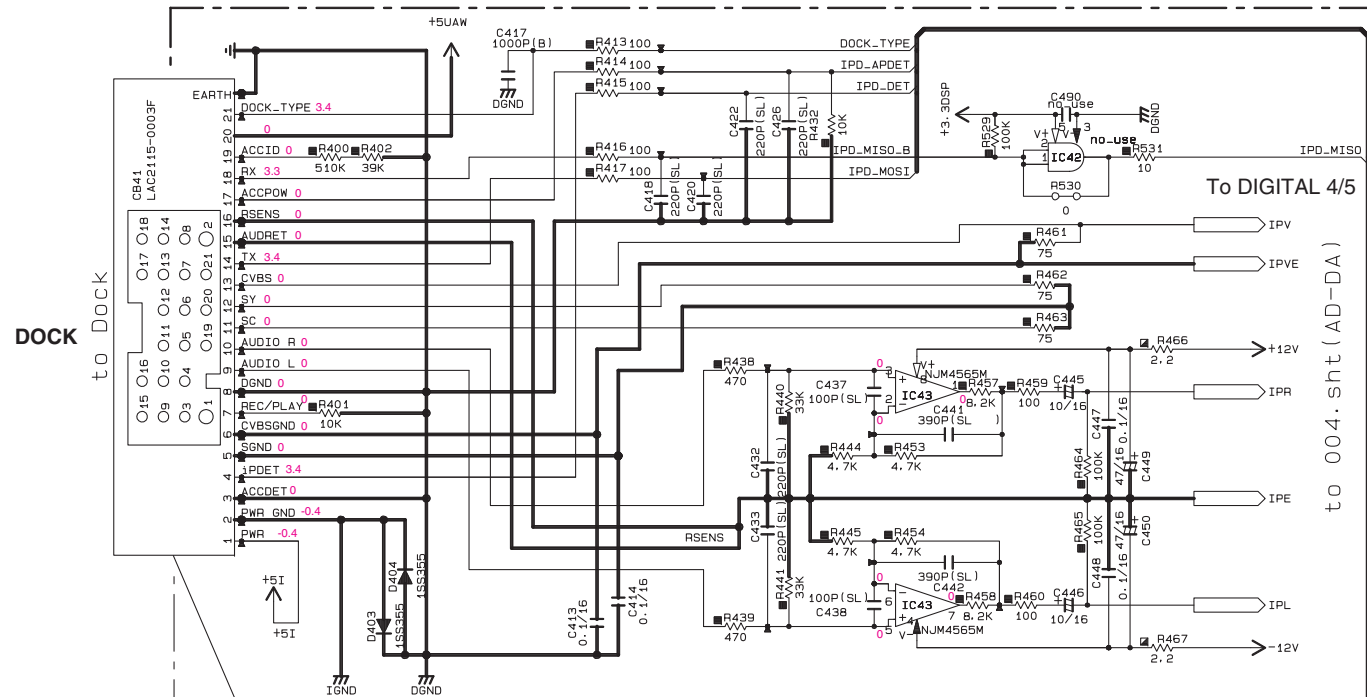
To DIGITAL 4/5

- ★ All voltages are measured with a 10MΩ/V DC electronic voltmeter.
- ★ Components having special characteristics are marked Δ and must be replaced with parts having specifications equal to those originally installed.
- ★ Schematic diagram is subject to change without notice.

- 電圧は、内部抵抗 10MΩの電圧計で測定したものです。
- Δ印のある部品は、安全性確保部品を示しています。部品の交換が必要な場合、パーツリストに記載されている部品を使用してください。
- 本回路図は標準回路図です。改良のため予告なく変更することがあります。

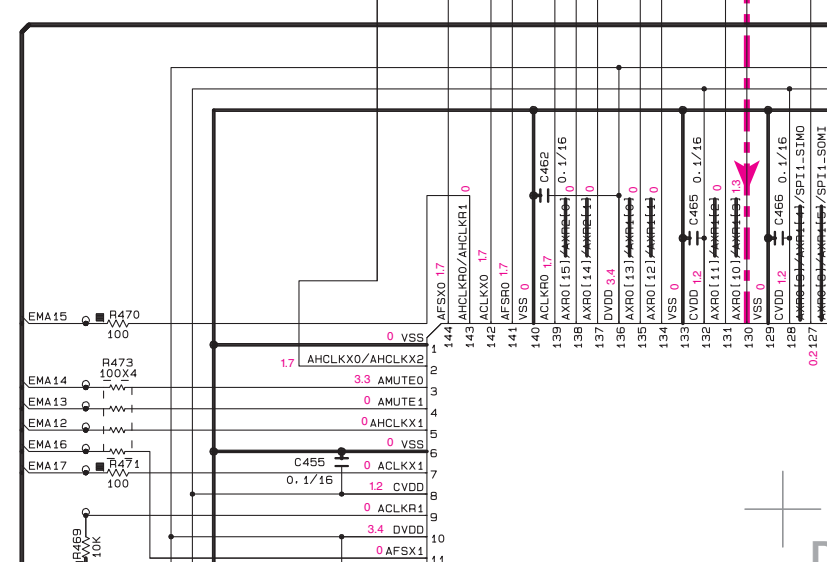
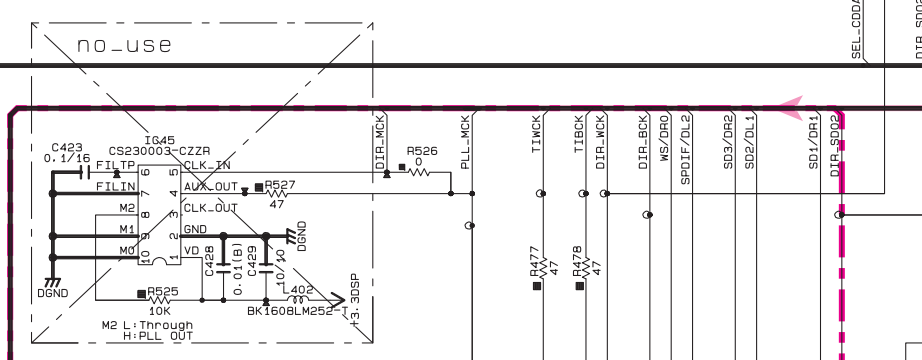
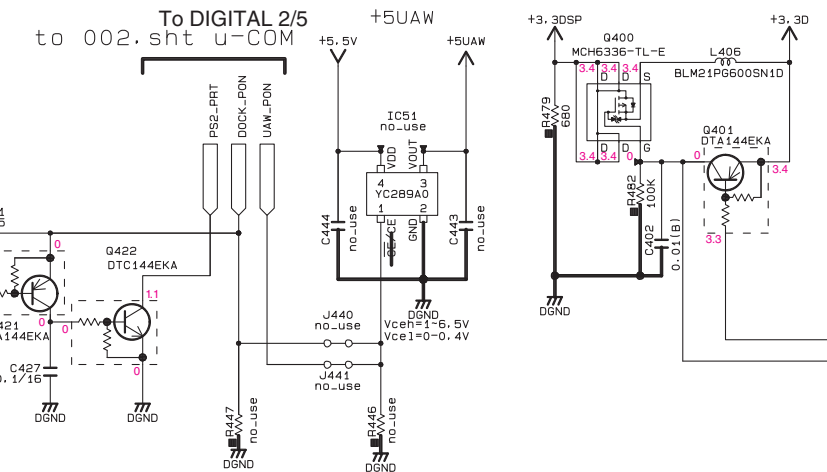
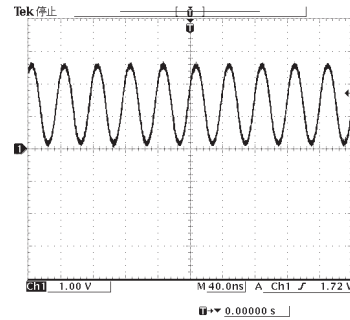
A	B
C	D

DIGITAL 3/5

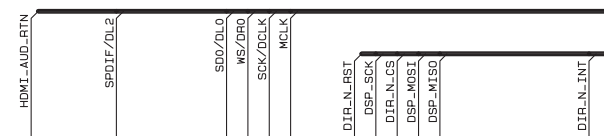


No replacement part available.  
サービス部品供給なし

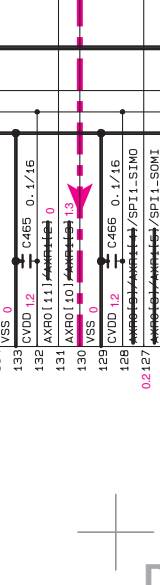
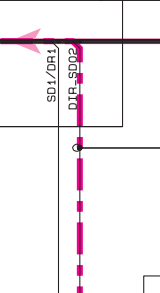
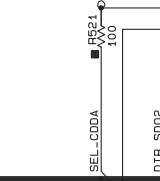
POINT ① XL42 (Pin 29 of IC41)



To DIGITAL 4/5  
to 004.sht (AD-DA)



CDDA Mode Selector  
Writing: SELECT=Hi (Y=B)  
Normal: SELECT=L (Y=A)

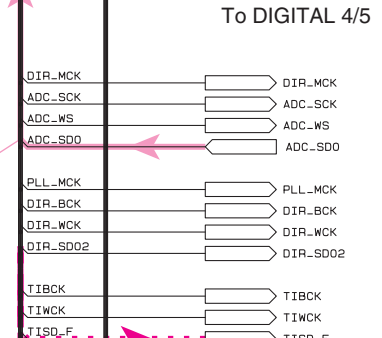
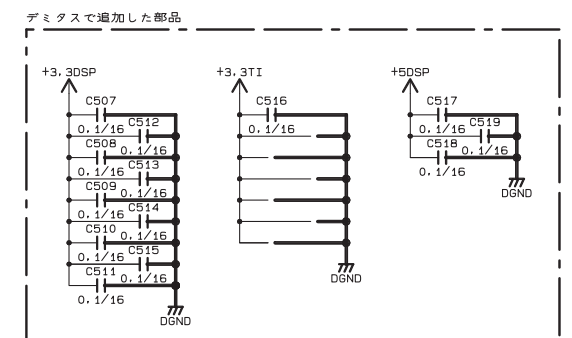
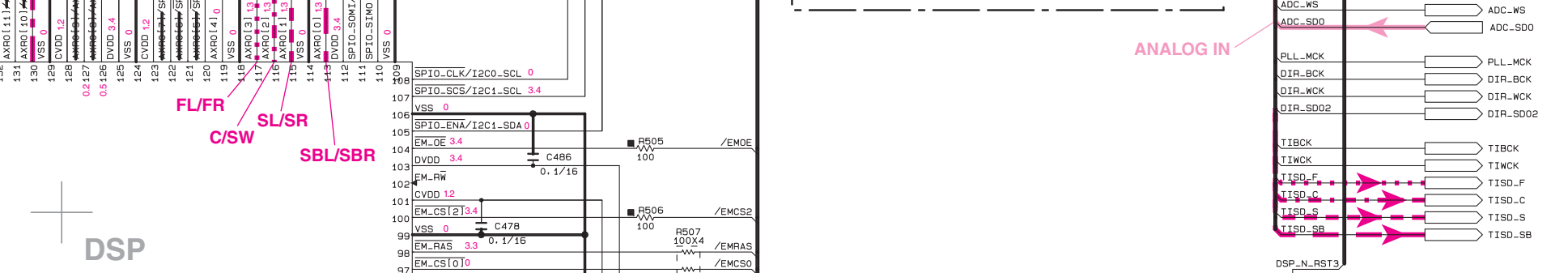
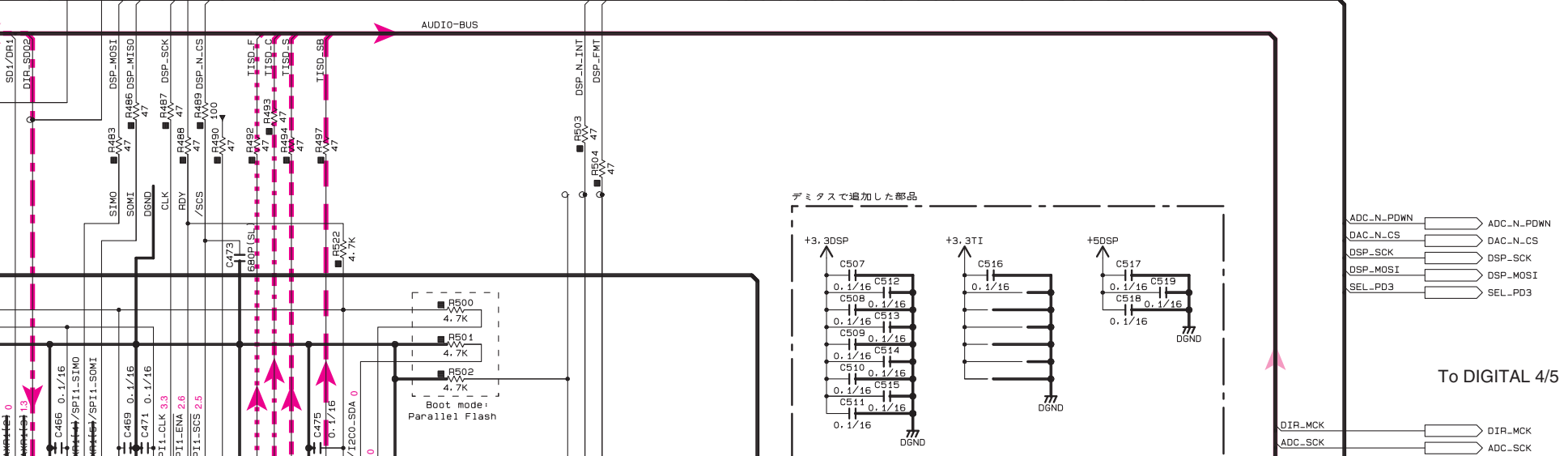
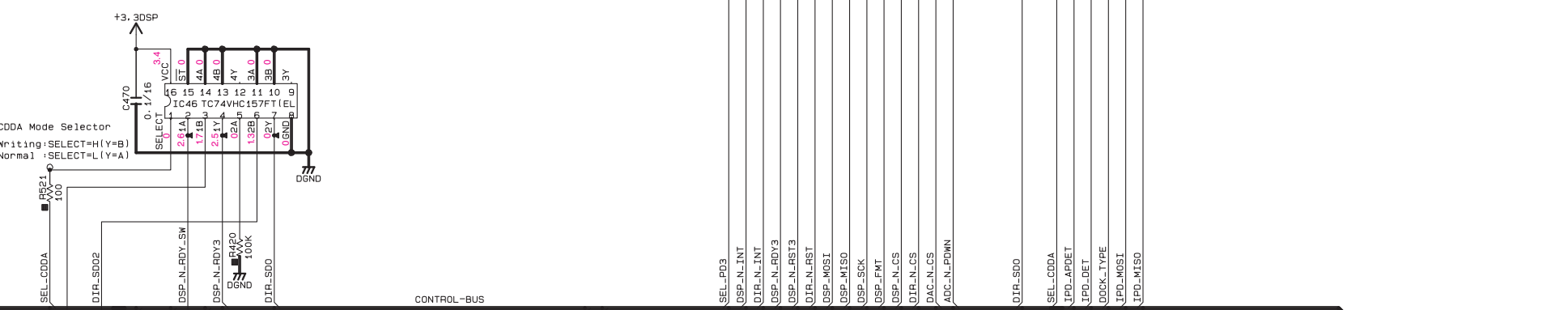
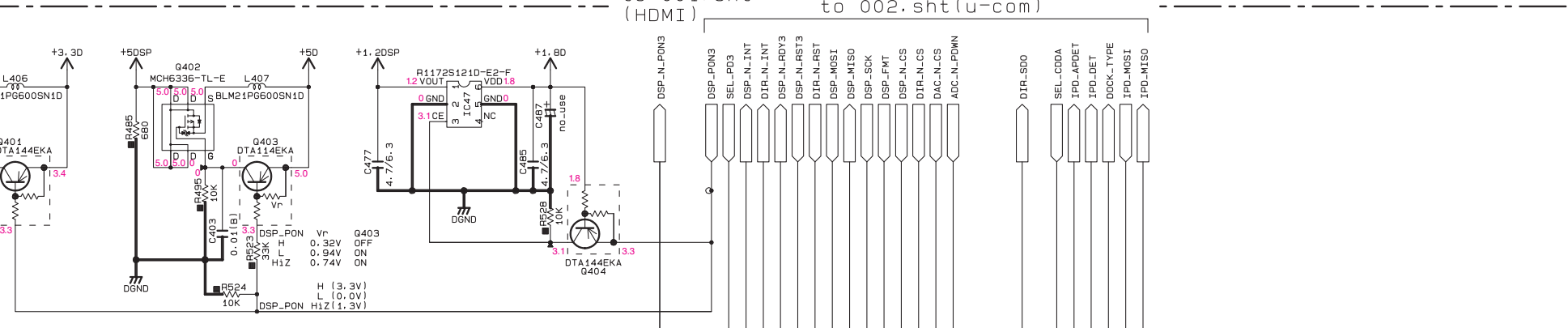


A	B
C	D

G H I J K L M N

To DIGITAL 1/5  
to 001.sht  
(HDMI)

To DIGITAL 2/5  
to 002.sht(u-com)



to 004.sht (AD-DA)

CAPACITOR

REMARKS	PARTS NAME	
NO MARK	ELECTROLYTIC CAPACITOR	#
⊗	TANTALUM CAPACITOR	#
NO MARK	CERAMIC CAPACITOR	#
⊙	CERAMIC TUBULAR CAPACITOR	#
○	POLYESTER FILM CAPACITOR	#
○	POLYSTYRENE FILM CAPACITOR	#
⊖	MICA CAPACITOR	#
⊕	POLYPROPYLENE FILM CAPACITOR	#
⊗	SEMICONDUCTIVE CERAMIC CAPACITOR	#
⊙	POLYPHENYLENE SULFIDE FILM CAPACITOR	#

RESISTOR

REMARKS	PARTS NAME	
NO MARK	CARBON FILM RESISTOR (P=5)	#
□	CARBON FILM RESISTOR (P=10)	#
△	METAL OXIDE FILM RESISTOR	#
△	METAL FILM RESISTOR	#
⊗	METAL PLATE RESISTOR	#
▨	FIRE PROOF CARBON FILM RESISTOR	#
⊖	CEMENT MOLDED RESISTOR	#
⊕	SEMI VARIABLE RESISTOR	#
■	CHIP RESISTOR	#

- NOTICE (model)
- (J)..... JAPAN
  - (U)..... U.S.A
  - (C)..... CANADA
  - (R)..... GENERAL
  - (T)..... CHINA
  - (K)..... KOREA
  - (A)..... AUSTRALIA
  - (B)..... BRITISH
  - (G)..... EUROPE
  - (L)..... SINGAPORE
  - (E)..... SOUTH EUROPE
  - (V)..... TAIWAN
  - (F)..... RUSSIAN
  - (P)..... LATIN AMERICA

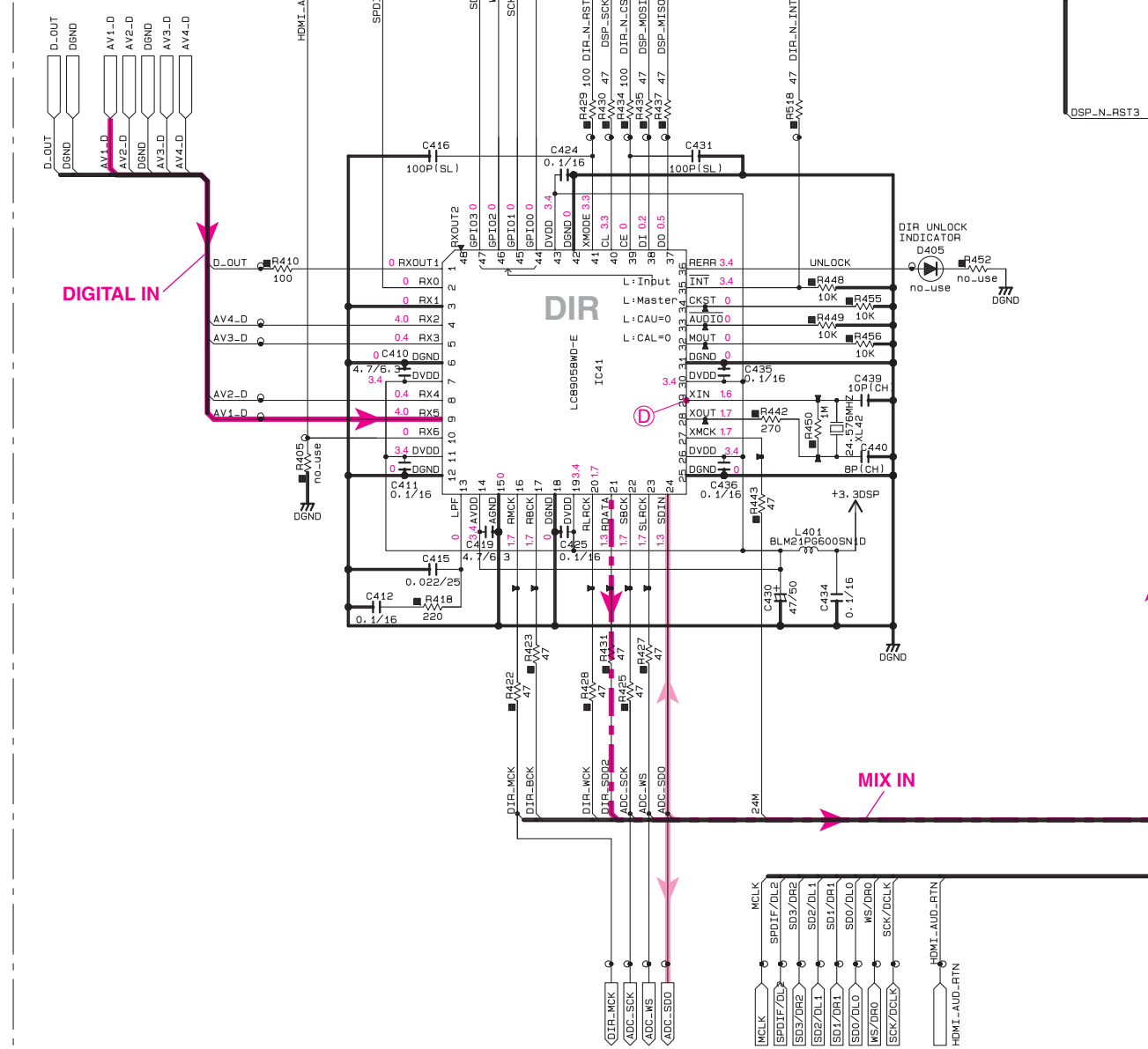
DSP

6

7

8

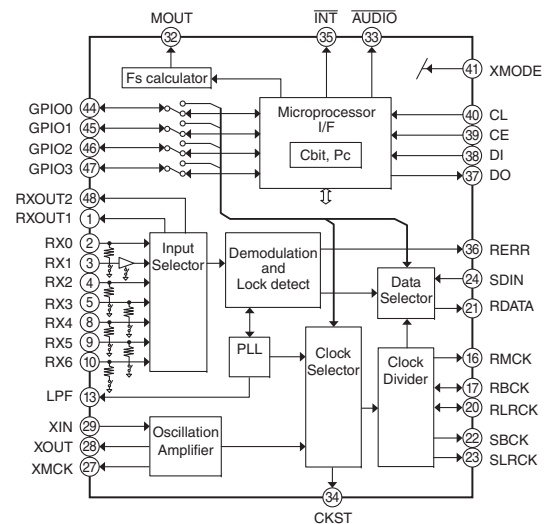
to 004.sht(AD-DA)



to 001.sht(HDMI)  
To DIGITAL 1/5

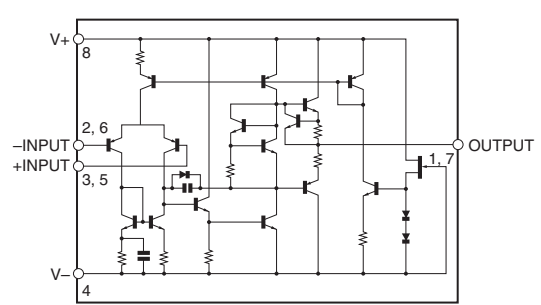
9

IC41: LC89058WD-E  
Digital audio interface receiver

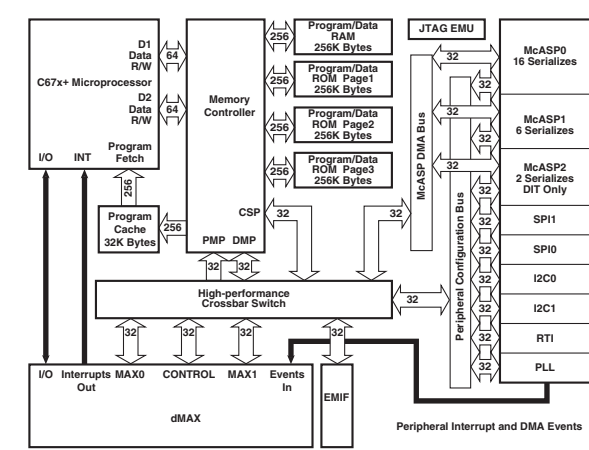


10

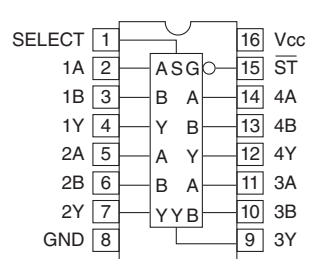
IC43: NJM4565M (TE1)  
Dual operational amplifier



IC44: D70YE101BRFP266  
Floating-point digital signal processors



IC46: TC74VHC157FT  
Quad 2-channel multiplexer

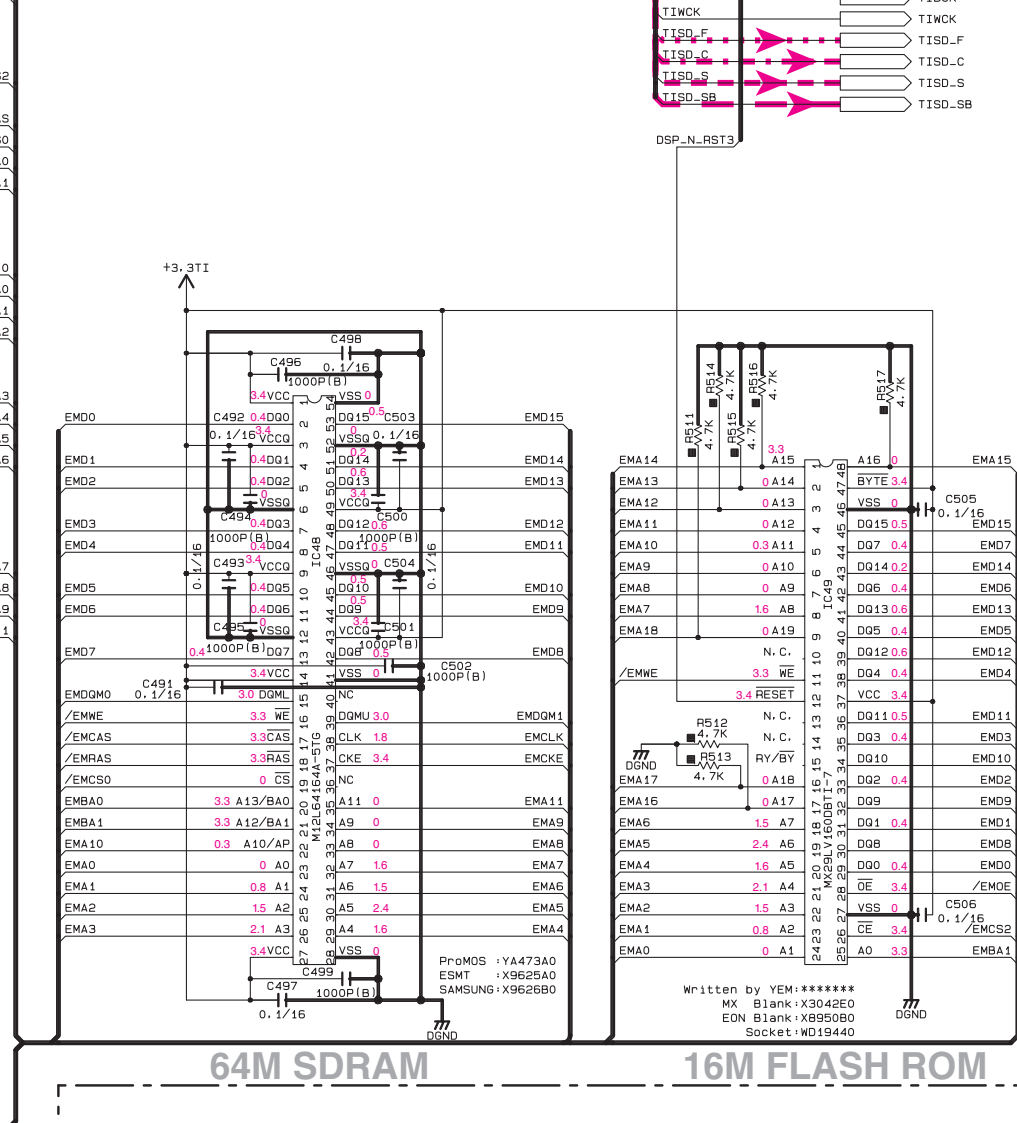
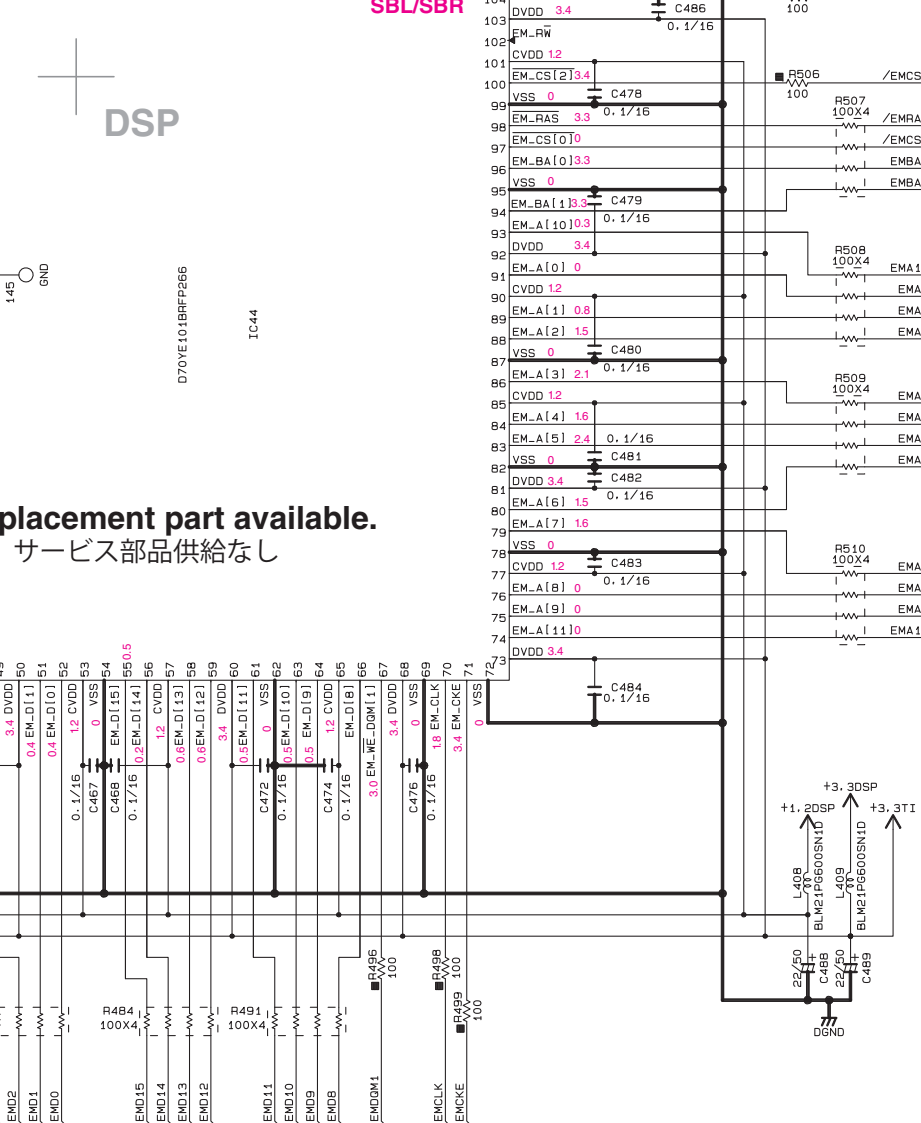


RX-V567/HTR-5063

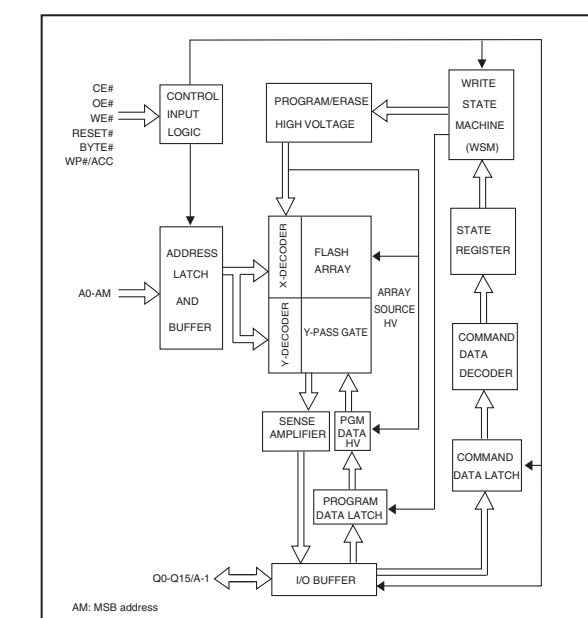
A	B
C	D

DIGITAL 3/5

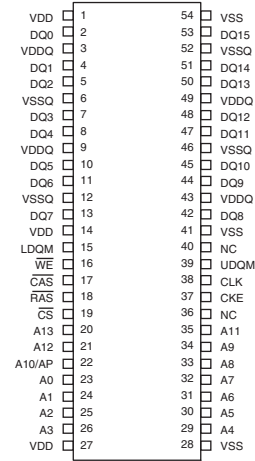
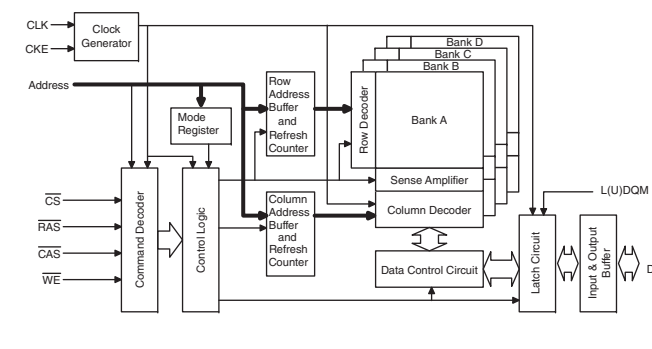
No replacement  
サービス部



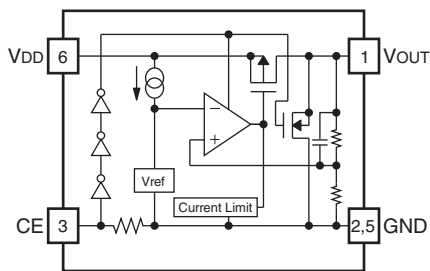
IC49: MX29LV160DBTI-70G  
16M-bit 3V supply flash memory



IC48: M12L64164A-5TG  
1M x 16-bit x 4 banks synchronous DRAM

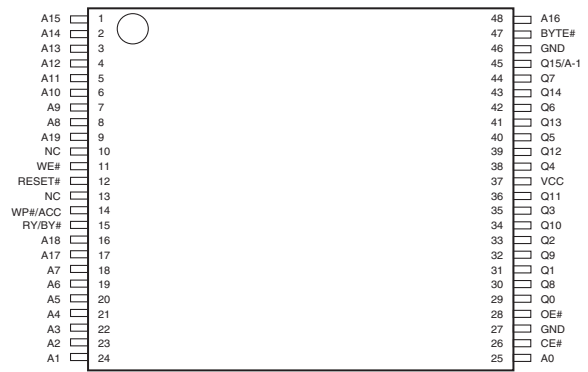
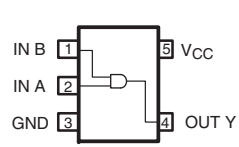


IC47: R1172S121D-E2-F  
Voltage regulator



Pin No.	Symbol	Description
1	VOUT	Output Pin of Voltage Regulator
2, 5	GND	Ground Pin
3	CE	Chip Enable Pin
4	NC	No Connection
6	VDD	Input Pin

IC50: TC7SH08FU  
2-input AND gate



- ★ All voltages are measured with a 10MΩ/V DC electronic voltmeter.
- ★ Components having special characteristics are marked Δ and must be replaced with parts having specifications equal to those originally installed.
- ★ Schematic diagram is subject to change without notice.

- 電圧は、内部抵抗 10MΩの電圧計で測定したものです。
- Δ印のある部品は、安全性確保部品を示しています。部品の交換が必要な場合、パーツリストに記載されている部品を使用してください。
- 本回路図は標準回路図です。改良のため予告なく変更することがあります。

A	B
C	D



A	B
C	D

H

I

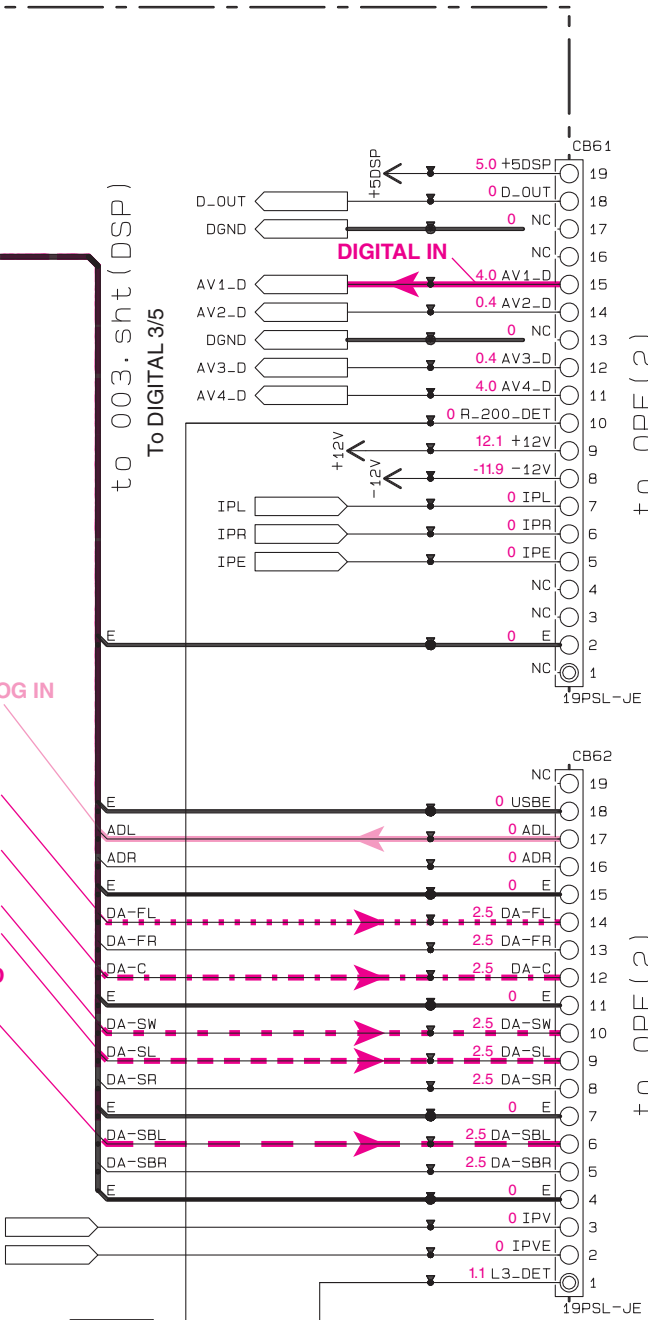
J

K

L

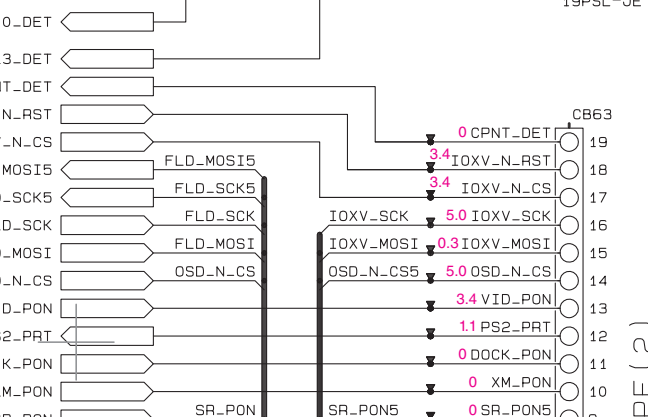
M

N



Page 99 **D3**  
to OPERATION (2)\_CB452

Page 99 **F3**  
to OPERATION (2)\_CB455



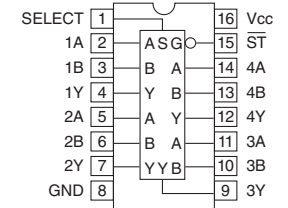
Page 99 **H3**  
to OPERATION (2)\_CB458

s1 ~ 19:002.sht(u-com)  
s20~54:003.sht(DSP)  
s55~89:004.sht(AD-DA)  
s90~99:005.sht(DVIDEO)

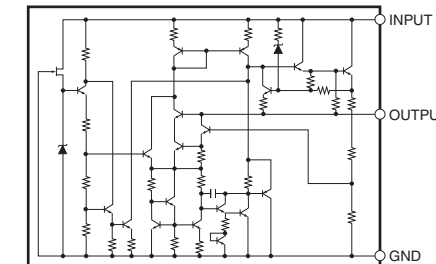
Destination Part List

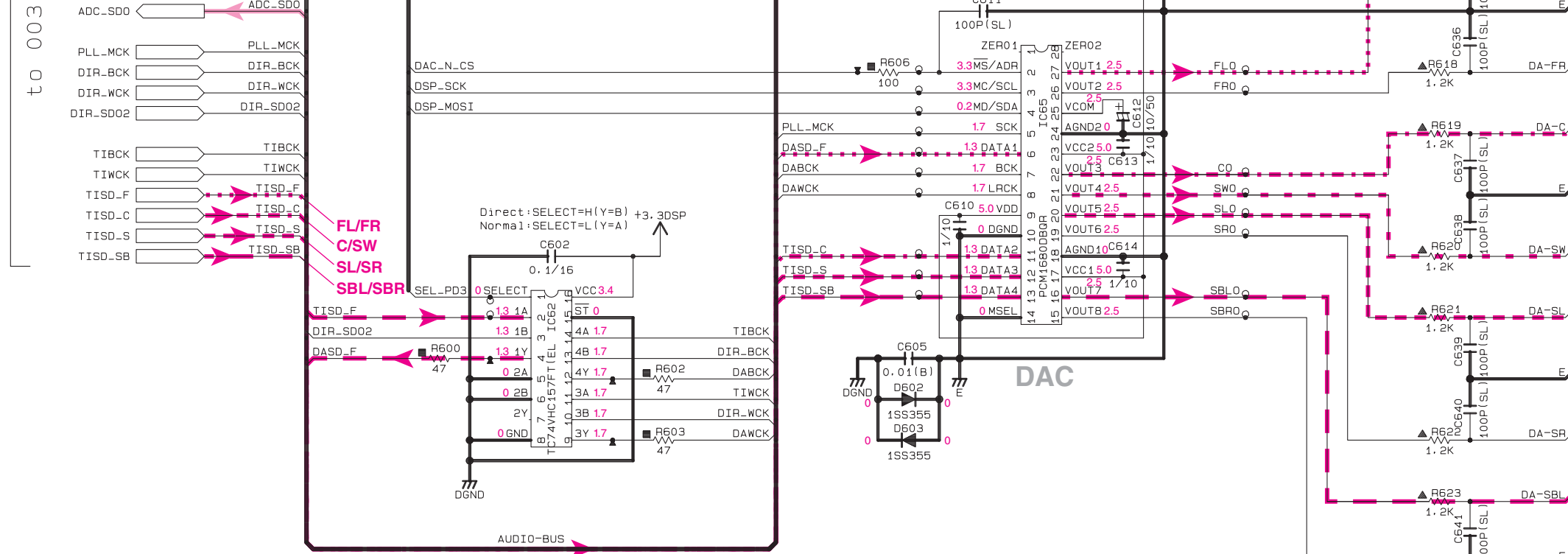
sXX	LOC	JUCTKAL	R	BGF
s1	Q210	X	VR93630 2SA1576A	X
s2	R211	X	RD35533 330	X
s3	R241 R243 R242 R240	X	X	RD35510 100
s90	CB73	X	X	VQ04410 52044
s91	R705 J707 R703	X	X	RD35000 0
s92	R709 R707	RD35000 0	RD35000 0	X
s93	R808	RD35810 100K	RD35810 100K	RD35633 3.3K
s94	R819	X	X	RD35618 1.8K

**IC62: TC74VHC157FT**  
Quad 2-channel multiplexer



**IC63: NJM78M05DL1A (TE1)**  
Voltage regulator





CAPACITOR

REMARKS	PARTS NAME	
NO MARK	ELECTROLYTIC CAPACITOR	⌘
⊗	TANTALUM CAPACITOR	
NO MARK	CERAMIC CAPACITOR	⌘
●	CERAMIC TUBULAR CAPACITOR	
◎	POLYESTER FILM CAPACITOR	
○	POLYSTYRENE FILM CAPACITOR	
①	MICA CAPACITOR	
Ⓟ	POLYPROPYLENE FILM CAPACITOR	
Ⓢ	SEMICONDUCTIVE CERAMIC CAPACITOR	
Ⓣ	POLYPHENYLENE SULFIDE FILM CAPACITOR	

RESISTOR

REMARKS	PARTS NAME
NO MARK	CARBON FILM RESISTOR (P=5)
□	CARBON FILM RESISTOR (P=10)
△	METAL OXIDE FILM RESISTOR
▲	METAL FILM RESISTOR
⊠	METAL PLATE RESISTOR
▨	FIRE PROOF CARBON FILM RESISTOR
□	CEMENT MOLDED RESISTOR
⊙	SEMI VARIABLE RESISTOR
■	CHIP RESISTOR

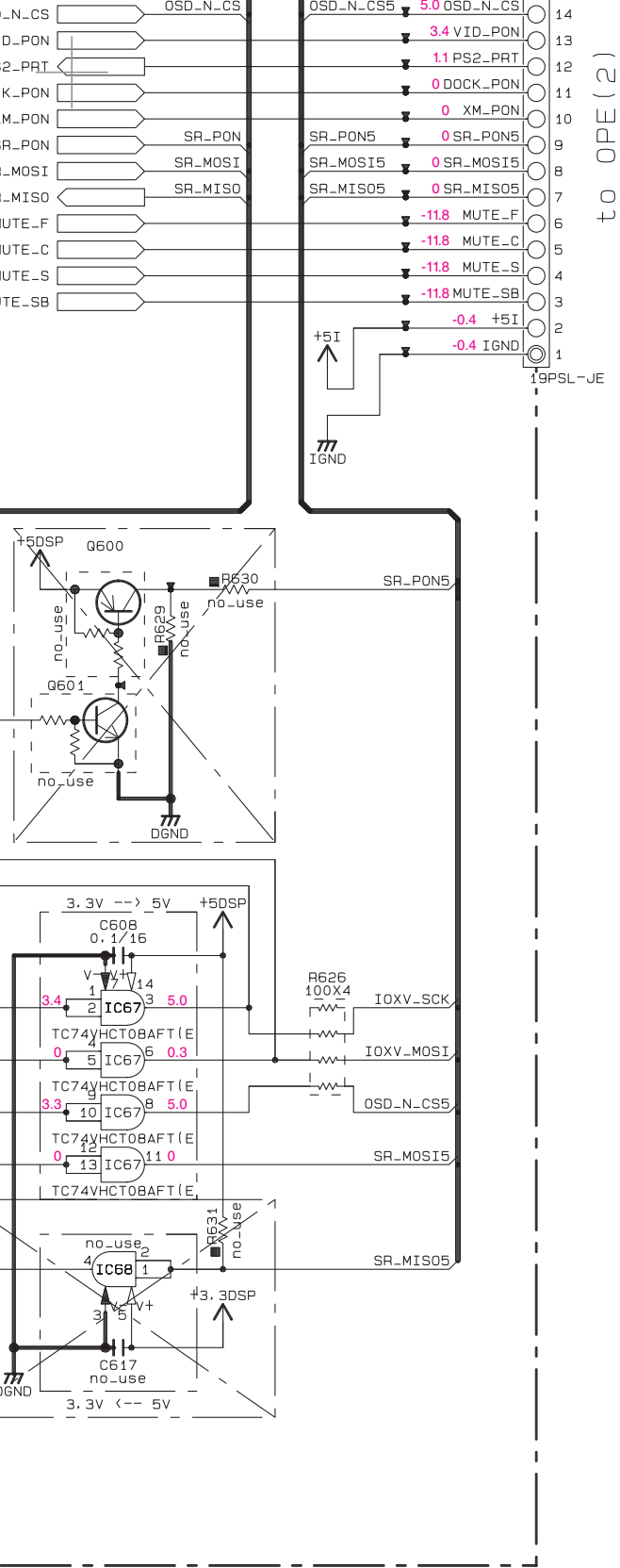
NOTICE (model)

(J)..... JAPAN  
 (U)..... U. S. A  
 (C)..... CANADA  
 (R)..... GENERAL  
 (T)..... CHINA  
 (K)..... KOREA  
 (A)..... AUSTRALIA  
 (B)..... BRITISH  
 (G)..... EUROPE  
 (L)..... SINGAPORE  
 (E)..... SOUTH EUROPE  
 (V)..... TAIWAN  
 (F)..... RUSSIAN  
 (P)..... LATIN AMERICA

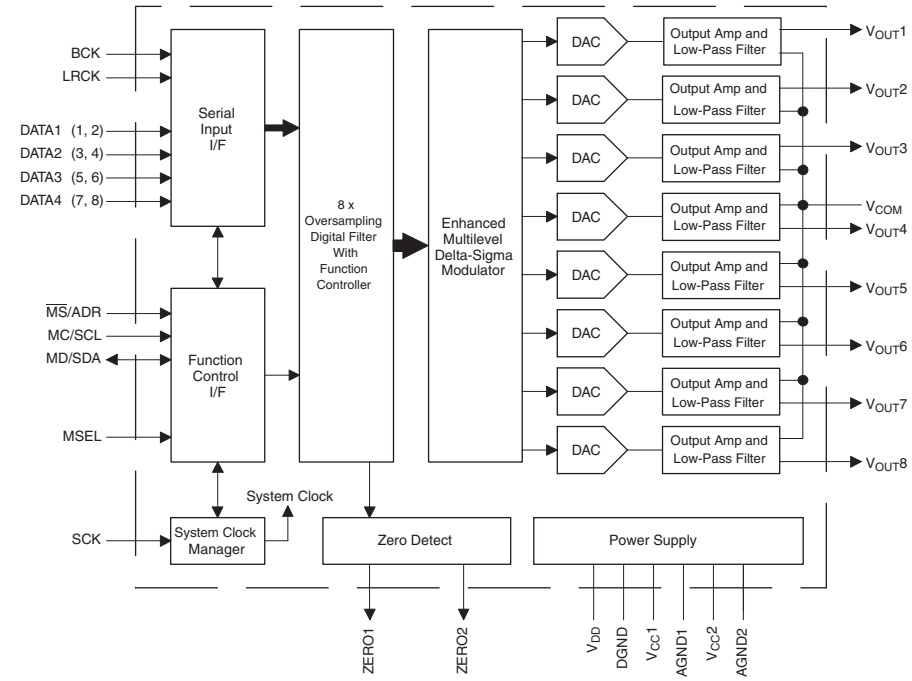
- ★ All voltages are measured with a 10MΩ/V DC electronic voltmeter.
- ★ Components having special characteristics are marked △ and must be replaced with parts having specifications equal to those originally installed.
- ★ Schematic diagram is subject to change without notice.

- 電圧は、内部抵抗 10MΩの電圧計で測定したものです。
- △印のある部品は、安全性確保部品を示しています。部品の交換が必要な場合、パーツリストに記載されている部品を使用してください。
- 本回路図は標準回路図です。改良のため予告なく変更することがあります。

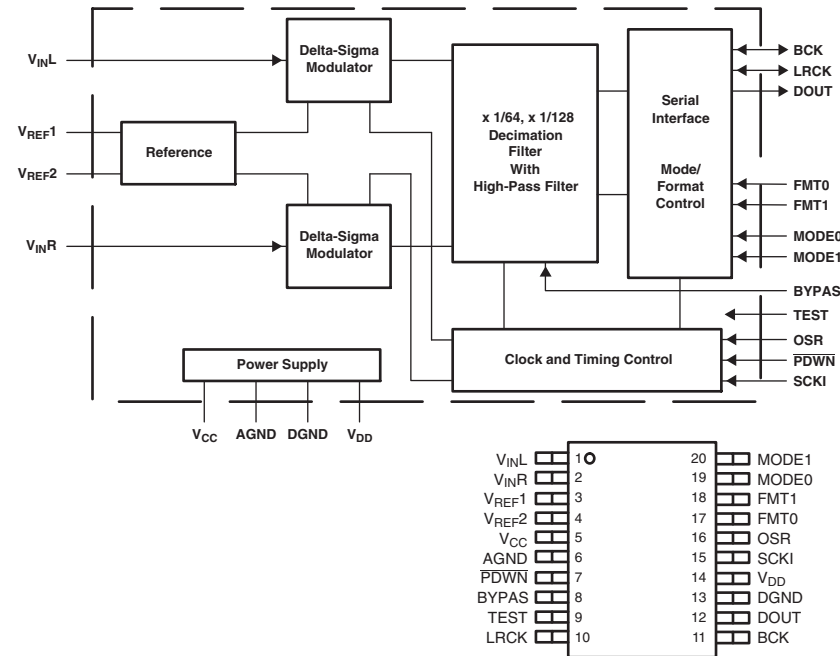




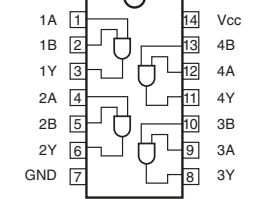
**IC65: PCM1680DBQR**  
Audio digital-to-analog converter



**IC66: PCM1803DBR**  
Stereo A/D converter



**IC67: TC74VHCT08AFT**  
Quad 2-input AND gate

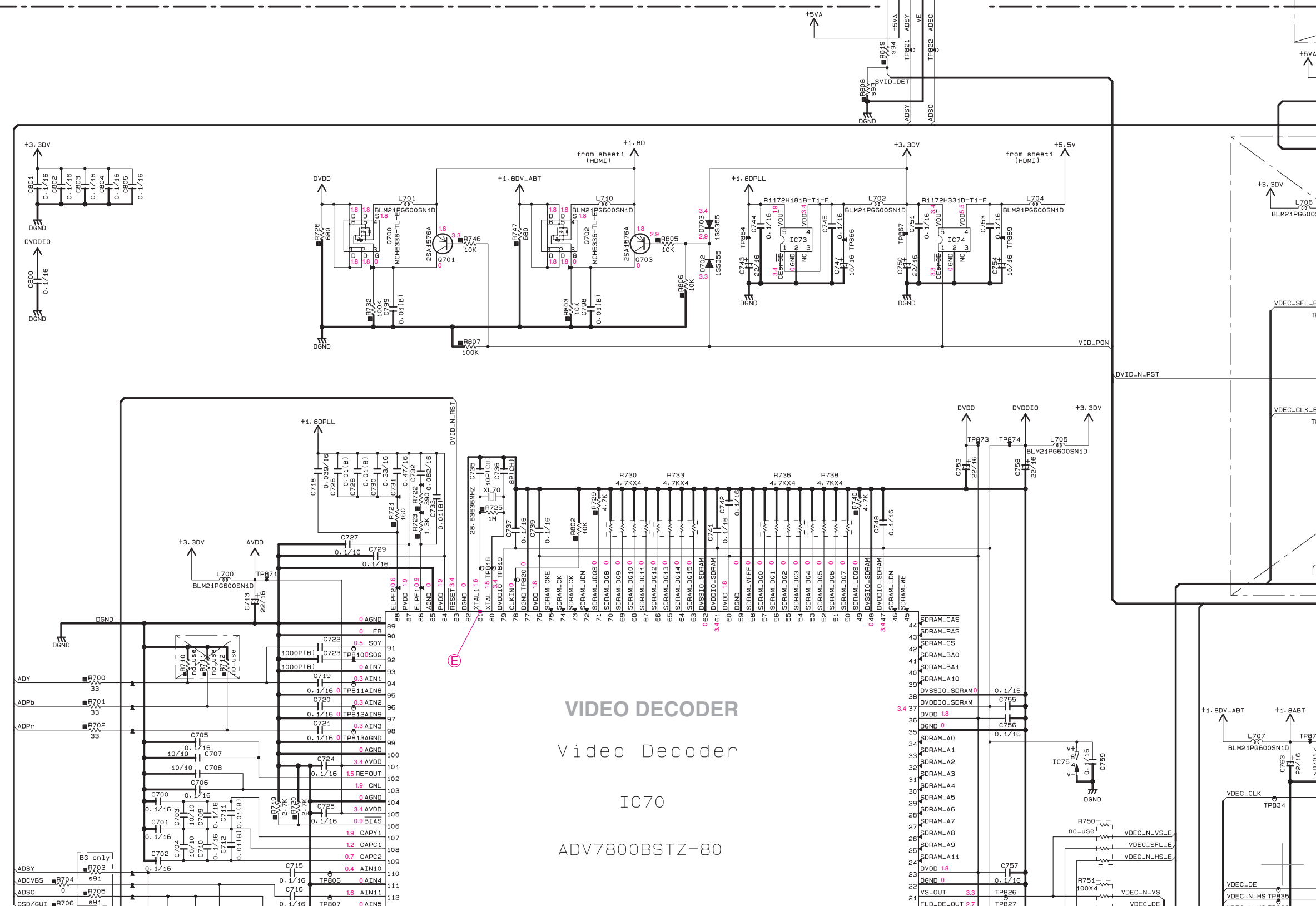


A	B
C	D

# DIGITAL 5/5

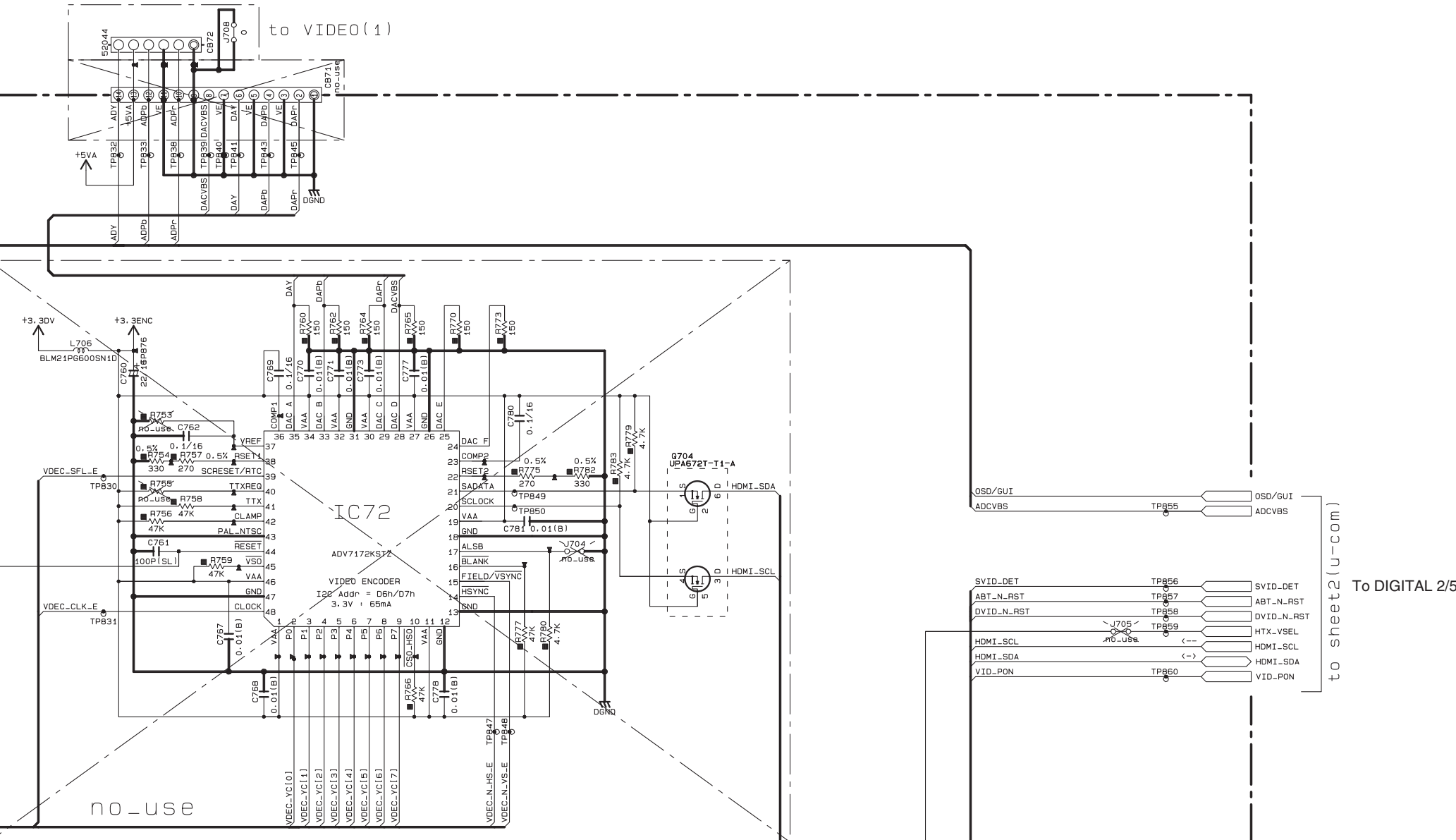
Page 104 **C3**  
to VIDEO (9)\_CB391  
(B, G, F models)

to VIDEO(10)



**VIDEO DECODER**  
Video Decoder  
IC70  
ADV7800BSTZ-80

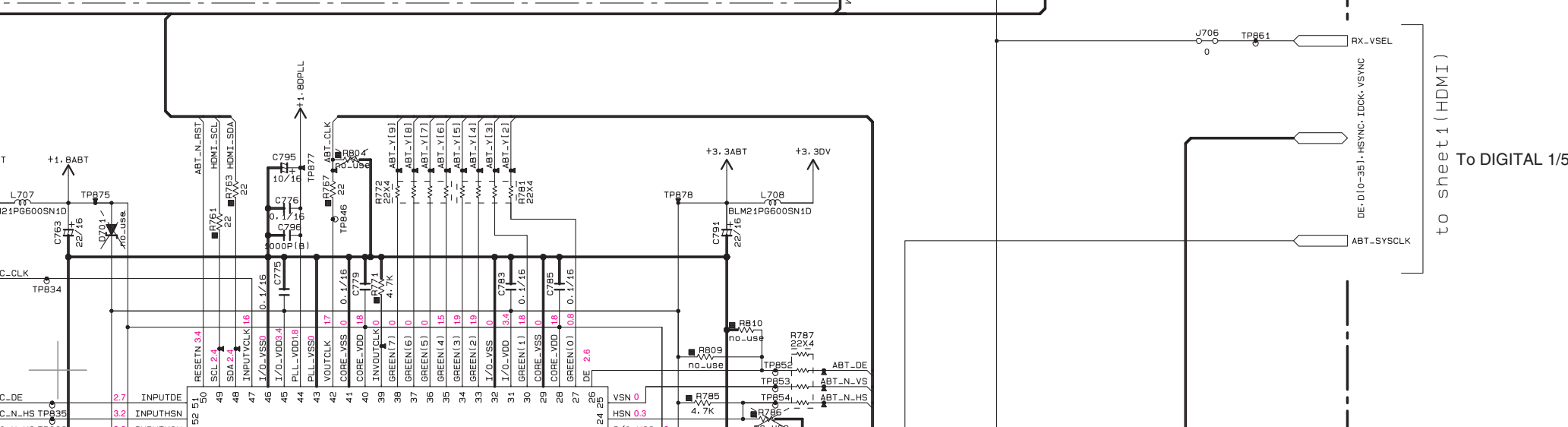
Page 102 K9  
to VIDEO (1)\_CB305



CAPACITOR	
REMARKS	PARTS NAME
NO MARK	ELECTROLYTIC CAPACITOR
⊗	TANTALUM CAPACITOR
NO MARK	CERAMIC CAPACITOR
⊙	CERAMIC TUBULAR CAPACITOR
⊖	POLYESTER FILM CAPACITOR
○	POLYSTYRENE FILM CAPACITOR
⓪	MICA CAPACITOR
⊕	POLYPROPYLENE FILM CAPACITOR
⊗	SEMICONDUCTIVE CERAMIC CAPACITOR
⊙	POLYPHENYLENE SULFIDE FILM CAPACITOR

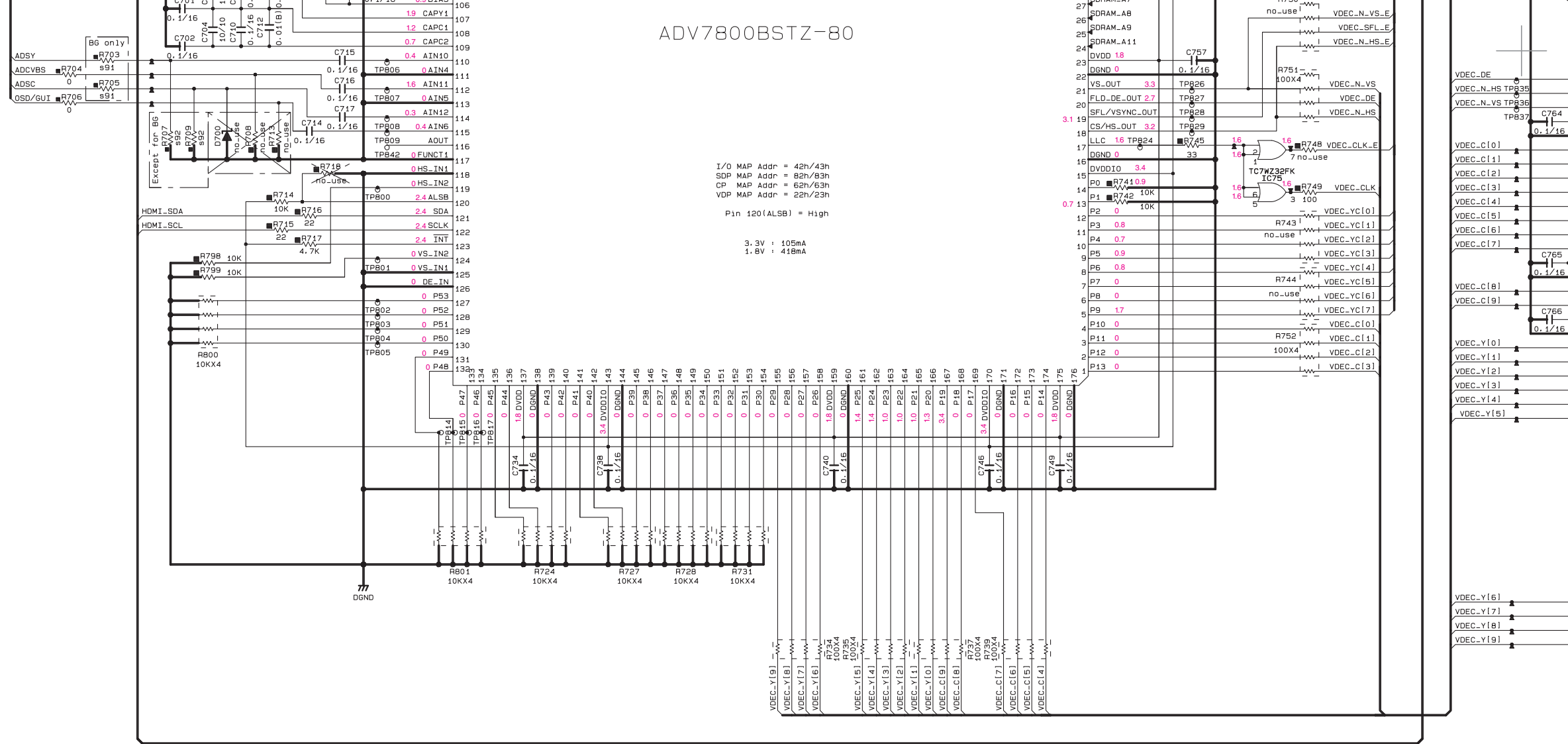
RESISTOR	
REMARKS	PARTS NAME
NO MARK	CARBON FILM RESISTOR (P=5)
⊠	CARBON FILM RESISTOR (P=10)
△	METAL OXIDE FILM RESISTOR
▲	METAL FILM RESISTOR
⊠	METAL PLATE RESISTOR
⊠	FIRE PROOF CARBON FILM RESISTOR
⊠	CEMENT MOLDED RESISTOR
⊠	SEMI VARIABLE RESISTOR
⊠	CHIP RESISTOR

NOTICE (model)  
(J)..... JAPAN  
(U)..... U.S.A  
(C)..... CANADA  
(R)..... GENERAL  
(T)..... CHINA  
(K)..... KOREA  
(A)..... AUSTRALIA  
(B)..... BRITISH  
(G)..... EUROPE  
(L)..... SINGAPORE  
(E)..... SOUTH EUROPE  
(V)..... TAIWAN  
(F)..... RUSSIAN  
(P)..... LATIN AMERICA





6



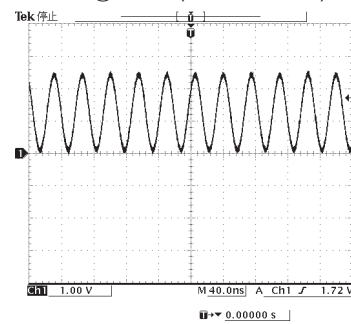
7

8

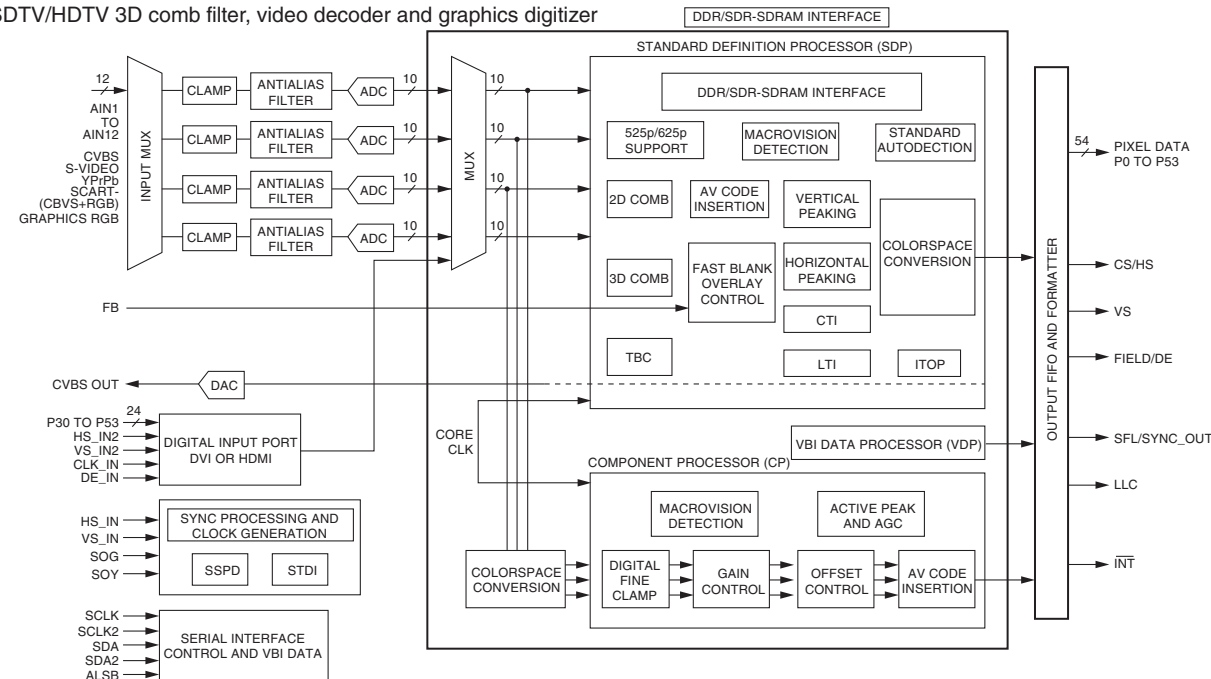
9

10

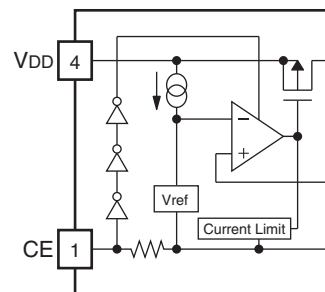
POINT (E) XL70 (Pin 81 of IC70)



IC70: ADV7800BSTZ-80  
10-bit, SDTV/HDTV 3D comb filter, video decoder and graphics digitizer

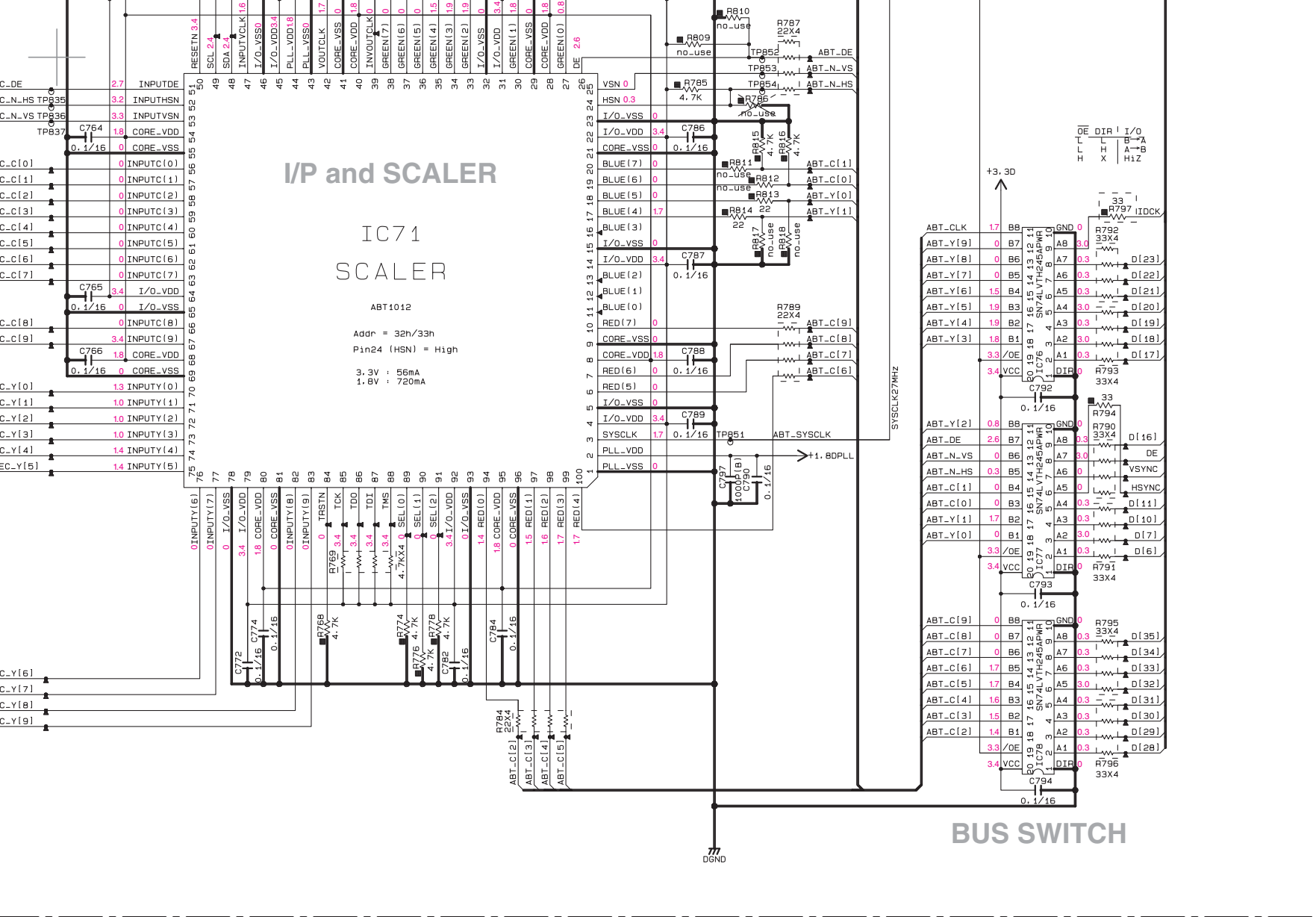


IC73: R1172H181B-T1-F  
Voltage regulator

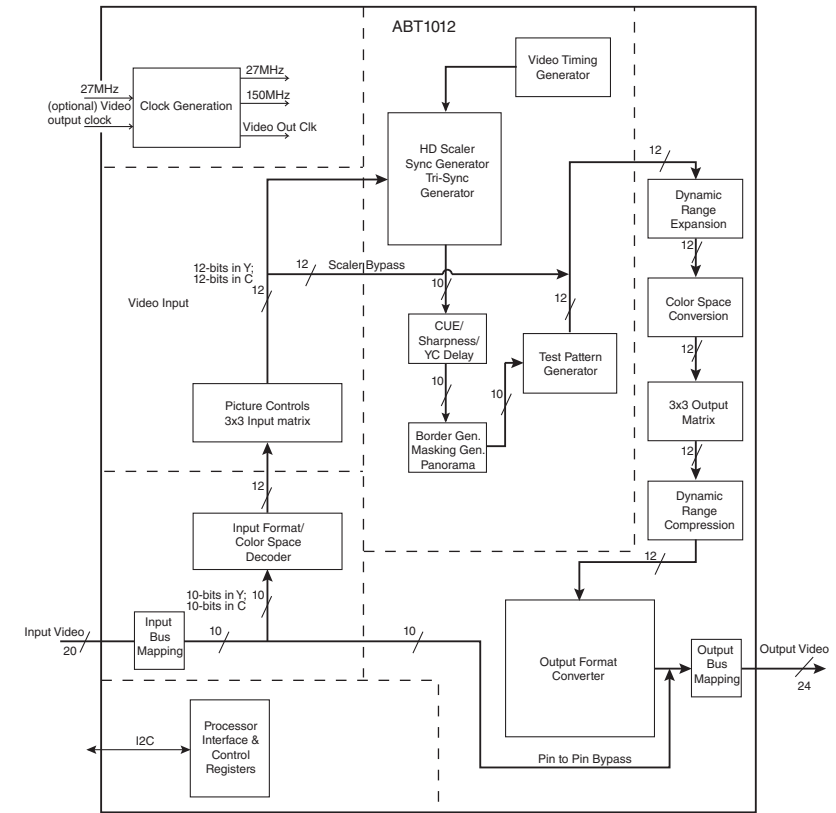


Pin No.	Symbol	Description
1	CE	Chip Enable Pin
2	GND	Ground Pin
3	NC	No Connection
4	VDD	Input Pin
5	Vout	Output Pin of Voltage Regulator

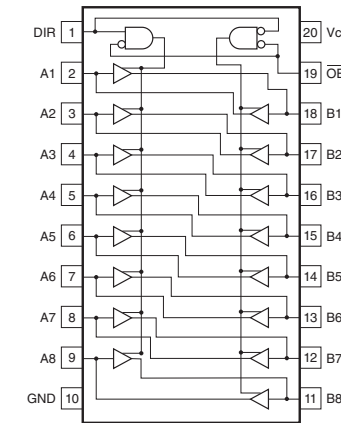




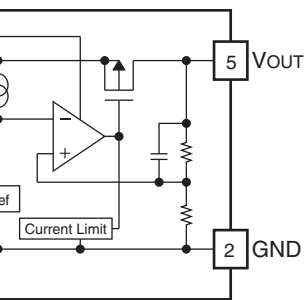
**IC71: ABT1012Q100**  
Advanced video processor device



**IC76-78: SN74LVTH245APW**  
3.3 V ABT octal bus transceivers with 3-state outputs

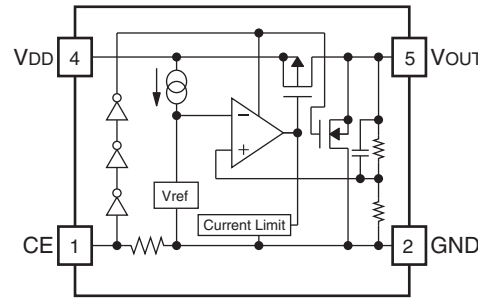


**H181B-T1-F**  
lulator



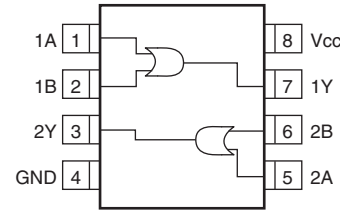
Description
Chip Enable Pin
Ground Pin
No Connection
Input Pin
Output Pin of Voltage Regulator

**IC74: R1172H331D-T1-F**  
Voltage regulator



Pin No.	Symbol	Description
1	CE	Chip Enable Pin
2	GND	Ground Pin
3	NC	No Connection
4	Vdd	Input Pin
5	Vout	Output Pin of Voltage Regulator

**IC75: TC7WZ32FK (TE85L, F)**  
Dual 2-input OR gate



- ★ All voltages are measured with a 10MΩ/V DC electronic voltmeter.
- ★ Components having special characteristics are marked Δ and must be replaced with parts having specifications equal to those originally installed.
- ★ Schematic diagram is subject to change without notice.

- 電圧は、内部抵抗 10MΩの電圧計で測定したものです。
- Δ印のある部品は、安全性確保部品を示しています。部品の交換が必要な場合、パーツリストに記載されている部品を使用してください。
- 本回路図は標準回路図です。改良のため予告なく変更することがあります。

DVIDEO  
CB/IC/XL: 70 -84  
OTHER : 700-849

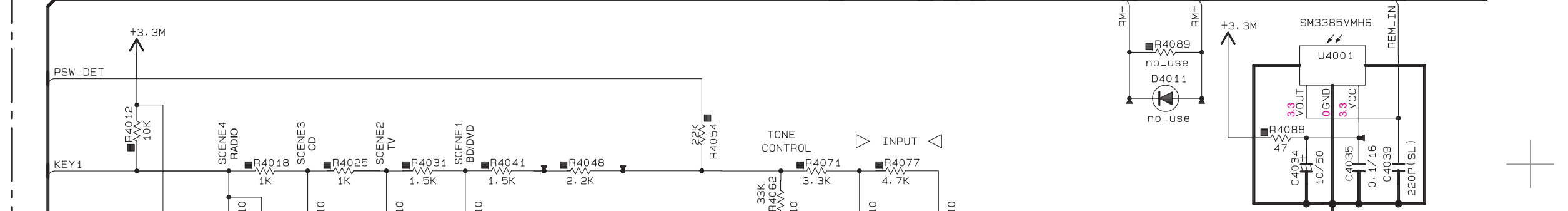
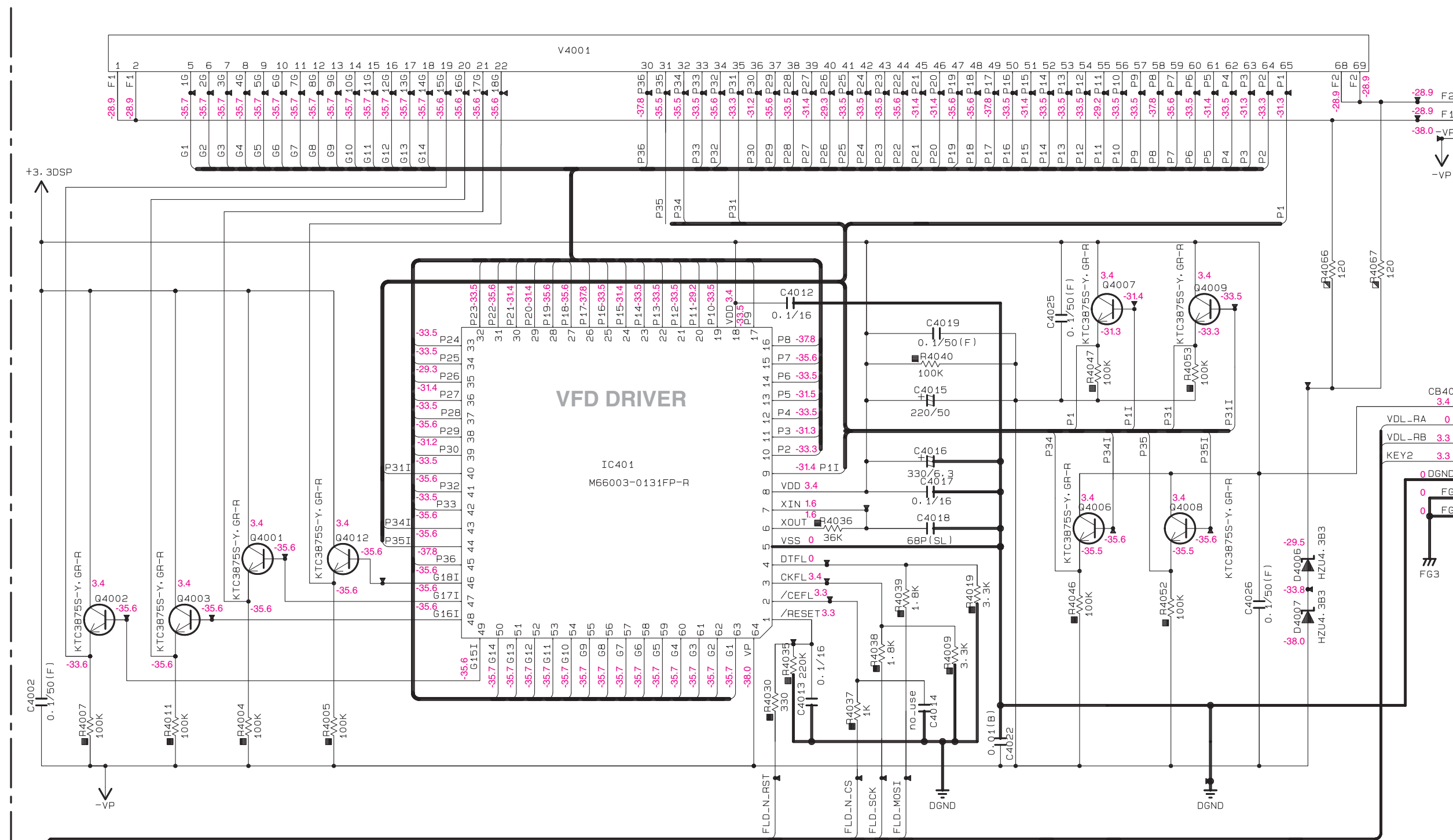
DIGITAL (5)

A	B
C	D

A	B
C	D

RX-V567/HTR-5063

OPERATION 1/2



A	B
C	D

H

I

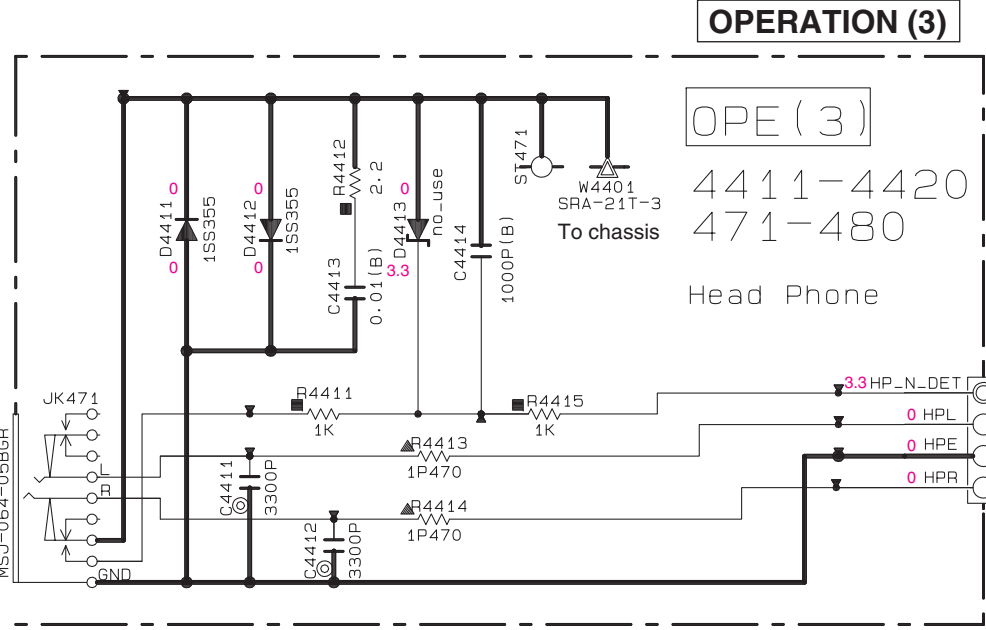
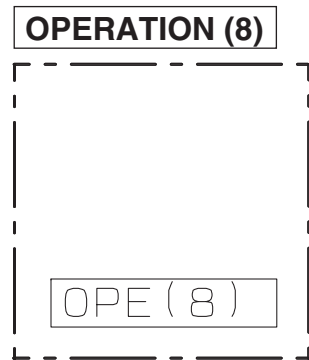
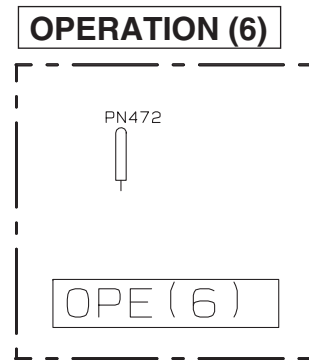
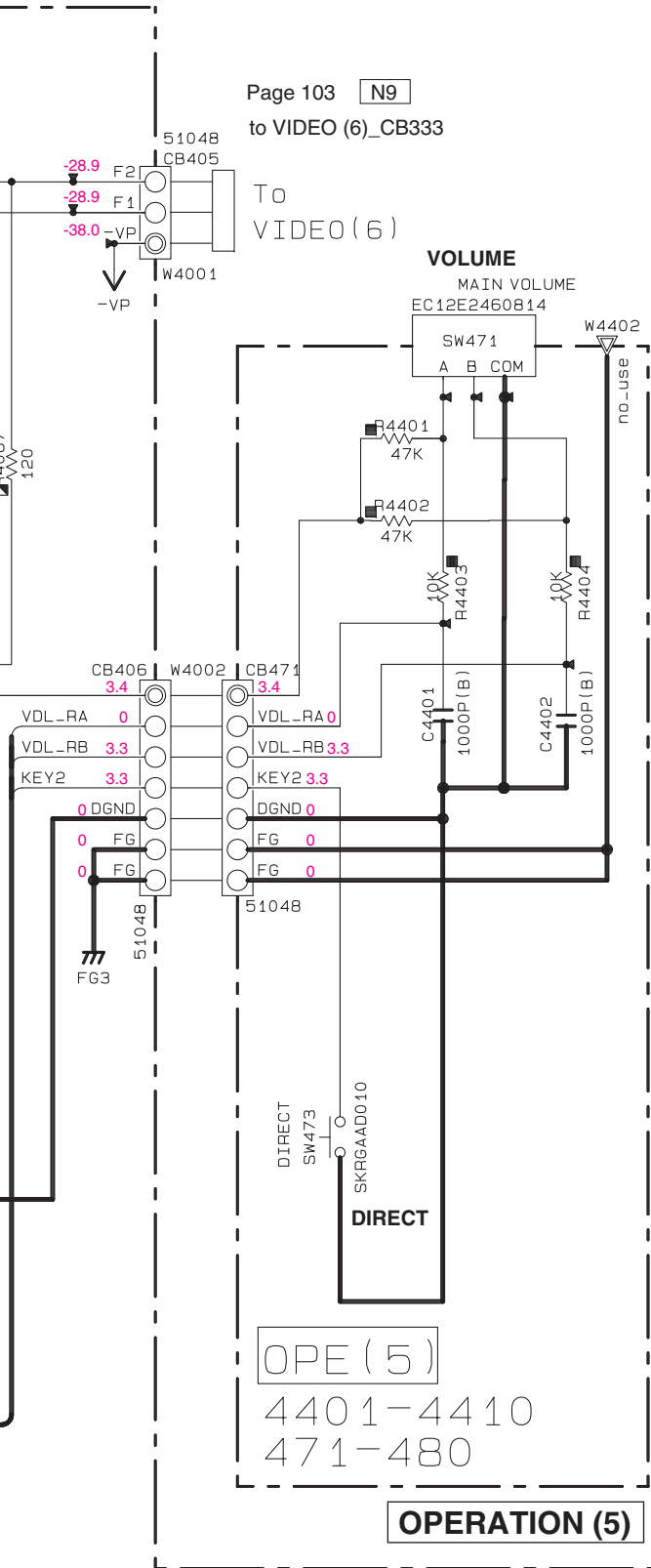
J

K

L

M

N



CAPACITOR

REMARKS	PARTS NAME	
NO MARK	ELECTROLYTIC CAPACITOR	#
⊗	TANTALUM CAPACITOR	#
NO MARK	CERAMIC CAPACITOR	
●	CERAMIC TUBULAR CAPACITOR	
⊙	POLYESTER FILM CAPACITOR	
○	POLYSTYRENE FILM CAPACITOR	
⊖	MICA CAPACITOR	
⊕	POLYPROPYLENE FILM CAPACITOR	
⊗	SEMICONDUCTIVE CERAMIC CAPACITOR	
⊙	POLYPHENYLENE SULFIDE FILM CAPACITOR	

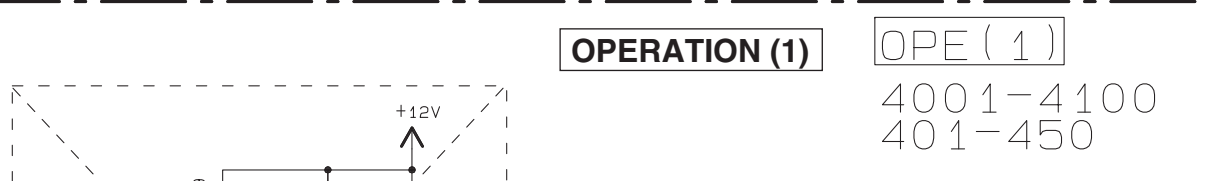
RESISTOR

REMARKS	PARTS NAME
NO MARK	CARBON FILM RESISTOR (P=5)
⊠	CARBON FILM RESISTOR (P=10)
△	METAL OXIDE FILM RESISTOR
▲	METAL FILM RESISTOR
⊠	METAL PLATE RESISTOR
⊠	FIRE PROOF CARBON FILM RESISTOR
□	CEMENT MOLDED RESISTOR
⊗	SEMI VARIABLE RESISTOR
■	CHIP RESISTOR

NOTICE (model)

(J)..... JAPAN  
 (U)..... U. S. A  
 (C)..... CANADA  
 (R)..... GENERAL  
 (T)..... CHINA  
 (K)..... KOREA  
 (A)..... AUSTRALIA  
 (B)..... BRITISH  
 (G)..... EUROPE  
 (L)..... SINGAPORE  
 (E)..... SOUTH EUROPE  
 (V)..... TAIWAN  
 (F)..... RUSSIAN  
 (P)..... LATIN AMERICA

Page 103 **B5**  
to VIDEO (1)\_W3401



6

7

8

9

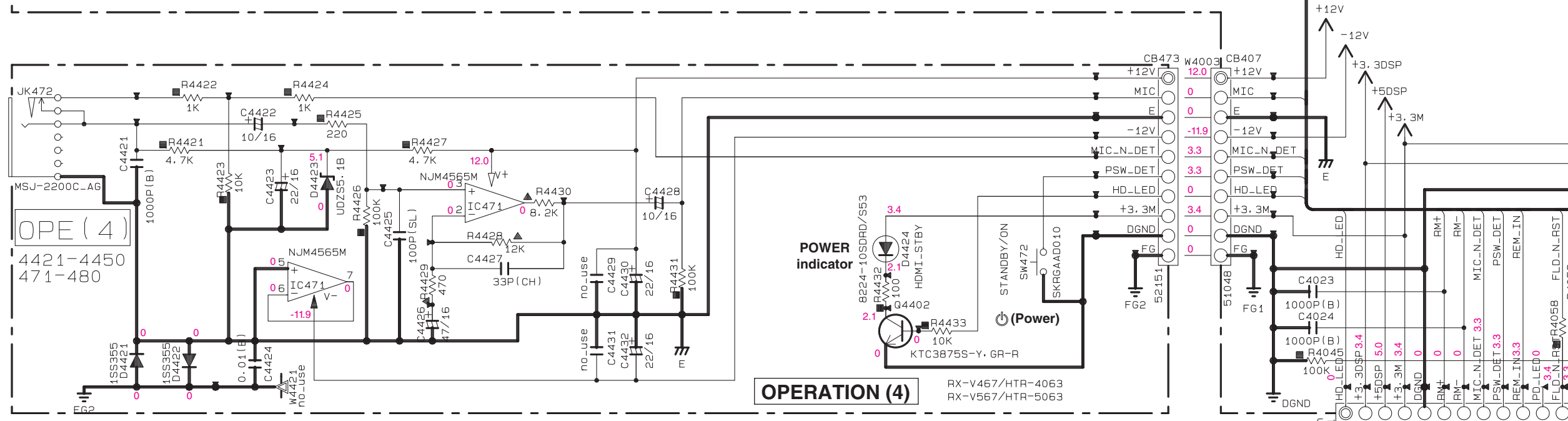
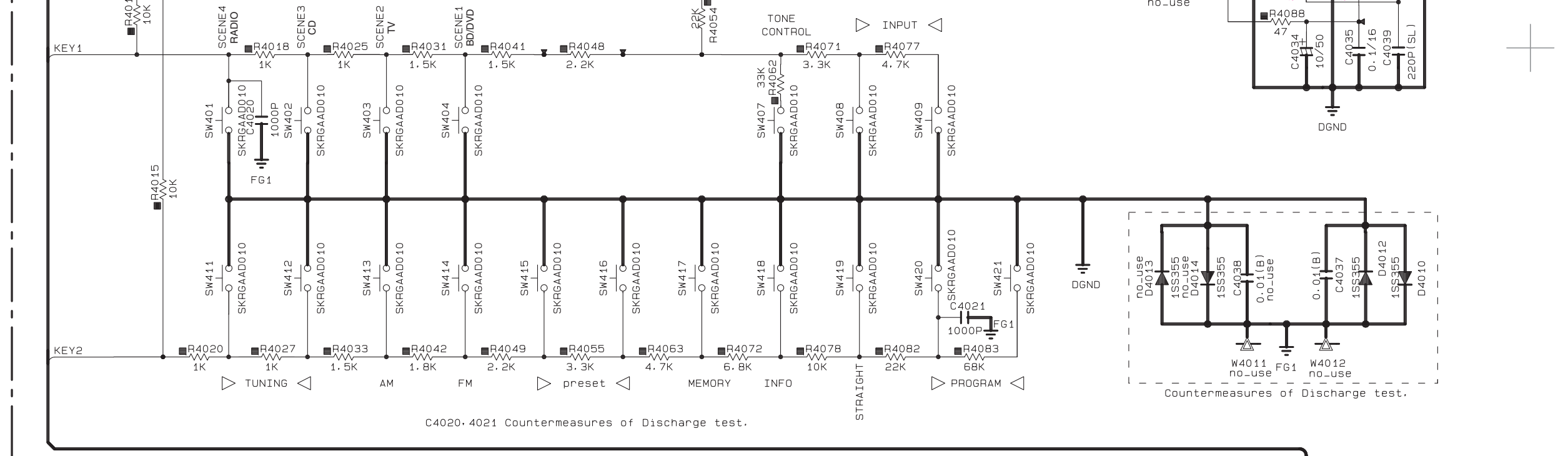
10

98

RX-V567/HTR-5063

A	B
C	D

OPERATION 1/2



Key detection for A/D port  
Key input (A/D) pull-up resistance 10 k-ohms

Ohm	0	+ 1.0 k	+ 1.0 k	+ 1.5 k	+ 1.5 k	+ 2.2 k	+ 3.3 k	+ 4.7 k	22.0 k	33.0 k
V	0 - 0.15	0.15 - 0.42	0.43 - 0.70	0.71 - 0.97	0.98 - 1.24	1.25 - 1.53	1.54 - 1.84	1.85 - 2.22	2.23 - 2.62	2.63 - 3.04
A/D value (3.3 V=255)	0 - 11	12 - 32	33 - 54	55 - 75	76 - 96	97 - 119	120 - 142	143 - 163	182 - 197	198 - 209
KEY1 (133 pin)	RADIO (SCENE4)	CD (SCENE3)	TV (SCENE2)	BD/DVD (SCENE1)	-	-	INPUT >	INPUT <	(Power)	TONE CONTROL

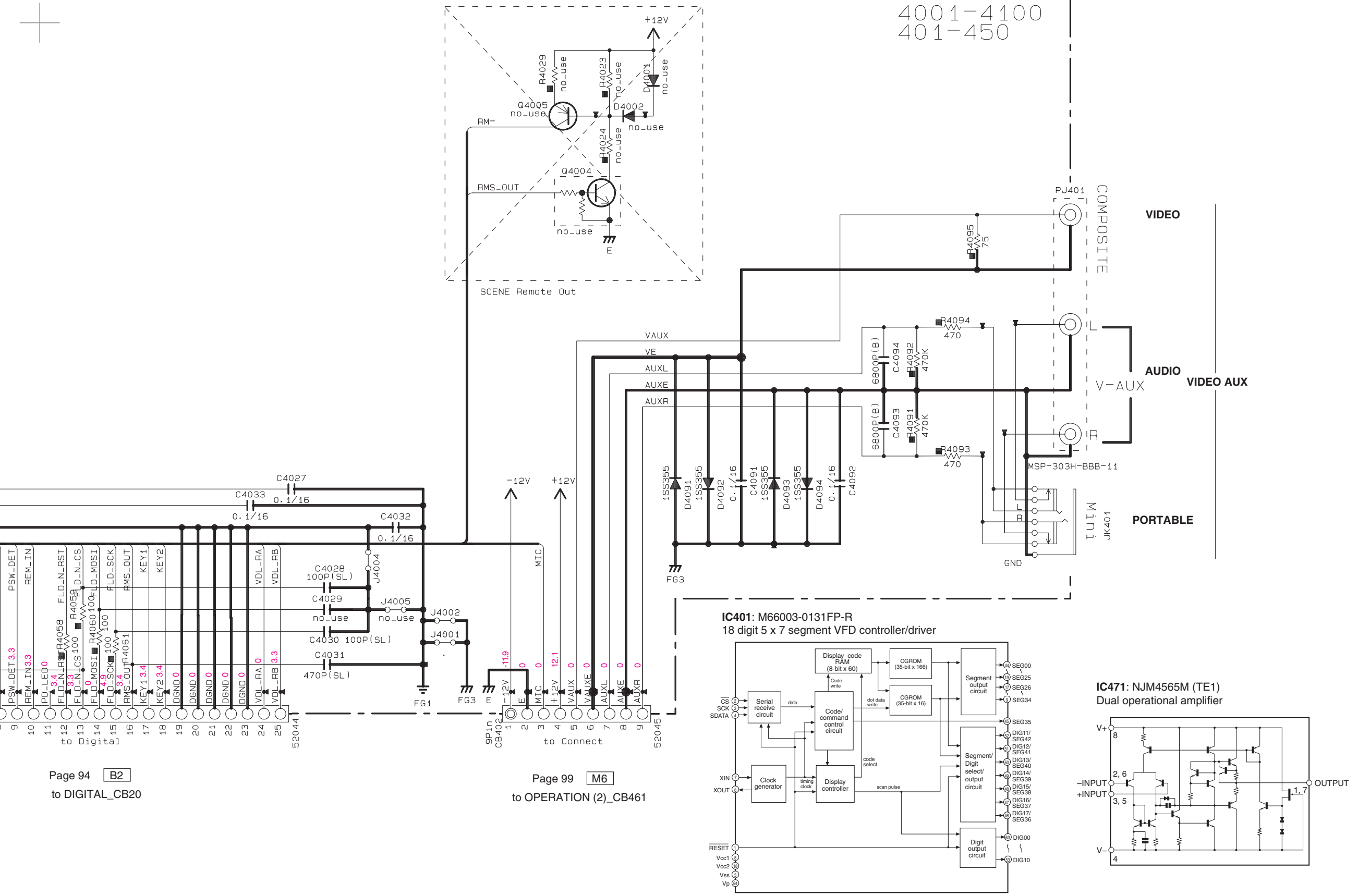
Ohm	0	+ 1.0 k	+ 1.0 k	+ 1.5 k	+ 1.8 k	+ 2.2 k	+ 3.3 k	+ 4.7 k	+ 6.8 k	+ 10.0 k	+ 22.0 k	+ 68.0 k
V	0 - 0.15	0.16 - 0.42	0.43-0.70	0.71 - 0.99	1.00 - 1.27	1.28 - 1.56	1.57 - 1.86	1.87 - 2.14	2.15 - 2.39	2.40 - 2.65	2.66 - 2.91	2.92 - 3.17
A/D value (3.3 V=255)	0 - 11	12 - 32	33 - 54	55 - 77	78 - 99	100 - 121	122 - 144	145 - 166	167 - 186	187 - 205	206 - 226	227 - 246
KEY2 (134 pin)	-	TUNING >>	TUNING <<	AM	FM	PRESET >	PRESET <	MEMORY	INFO	STRAIGHT	PROGRAM >	PROGRAM <

Page 6  
to DIO



OPERATION (1)

4001-4100  
401-450



Page 94 B2  
to DIGITAL\_CB20

Page 99 M6  
to OPERATION (2)\_CB461

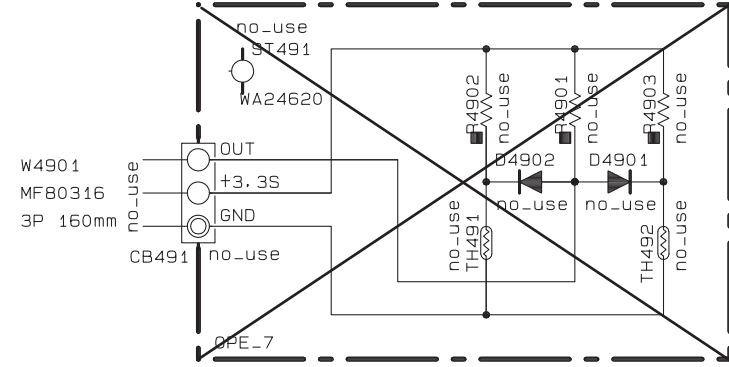
- ★ All voltages are measured with a 10MΩ/V DC electronic voltmeter.
- ★ Components having special characteristics are marked Δ and must be replaced with parts having specifications equal to those originally installed.
- ★ Schematic diagram is subject to change without notice.

- 電圧は、内部抵抗 10MΩの電圧計で測定したものです。
- Δ印のある部品は、安全性確保部品を示しています。部品の交換が必要な場合、パーツリストに記載されている部品を使用してください。
- 本回路図は標準回路図です。改良のため予告なく変更することがあります。

A	B
C	D

A	B
C	D

OPERATION 2/2

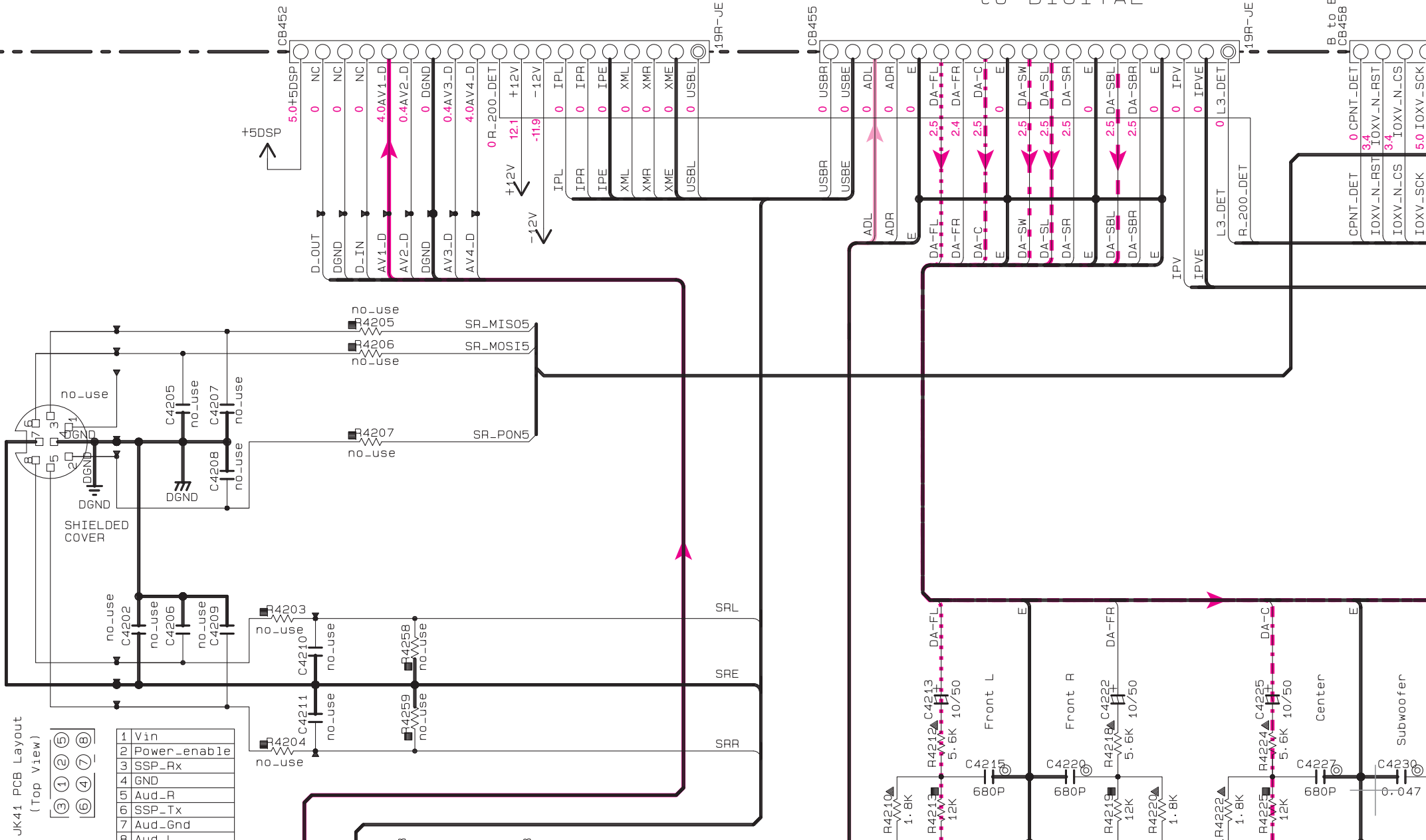


Page 96 I2  
to DIGITAL\_CB61

Page 96 I4  
to DIGITAL\_CB62

to DIGITAL

JK451 SIRIUS

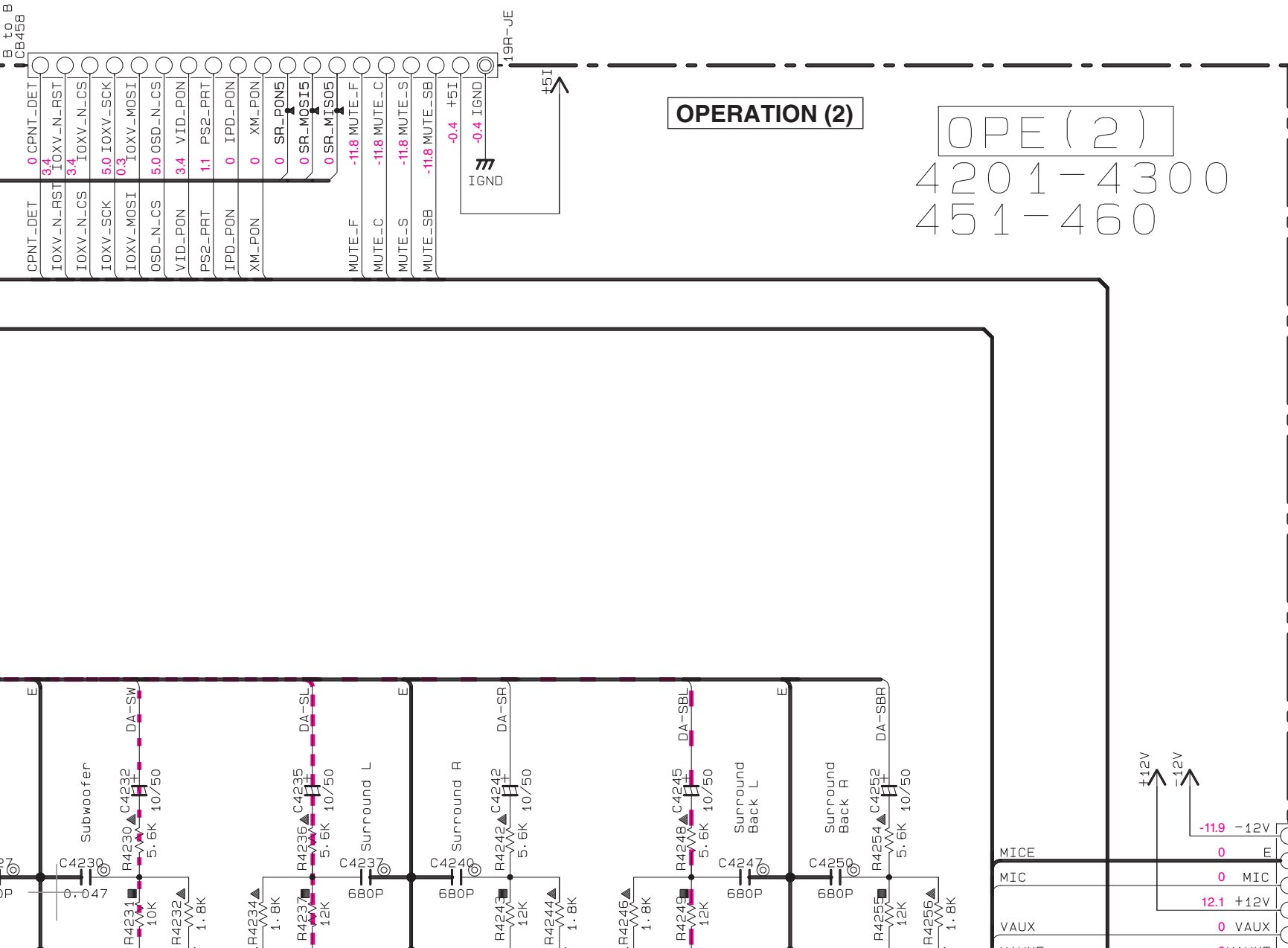


JK41 PCB Layout (Top View)

1	Vin
2	Power_enable
3	SSP_Rx
4	GND
5	Aud_R
6	SSP_Tx
7	Aud_Gnd
8	Aud_L

A	B
C	D

Page 96 I6  
to DIGITAL\_CB63



CAPACITOR

REMARKS	PARTS NAME	
NO MARK	ELECTROLYTIC CAPACITOR	≠
⊗	TANTALUM CAPACITOR	
NO MARK	CERAMIC CAPACITOR	
●	CERAMIC TUBULAR CAPACITOR	
⊙	POLYESTER FILM CAPACITOR	
○	POLYSTYRENE FILM CAPACITOR	≠
⊖	MICA CAPACITOR	
⊕	POLYPROPYLENE FILM CAPACITOR	
⊗	SEMICONDUCTIVE CERAMIC CAPACITOR	
Ⓢ	POLYPHENYLENE SULFIDE FILM CAPACITOR	

RESISTOR

REMARKS	PARTS NAME
NO MARK	CARBON FILM RESISTOR (P=5)
⊠	CARBON FILM RESISTOR (P=10)
△	METAL OXIDE FILM RESISTOR
▲	METAL FILM RESISTOR
⊠	METAL PLATE RESISTOR
⊠	FIRE PROOF CARBON FILM RESISTOR
□	CEMENT MOLDED RESISTOR
⊗	SEMI VARIABLE RESISTOR
■	CHIP RESISTOR

NOTICE (model)

- (J)..... JAPAN
- (U)..... U.S.A
- (C)..... CANADA
- (R)..... GENERAL
- (T)..... CHINA
- (K)..... KOREA
- (A)..... AUSTRALIA
- (B)..... BRITISH
- (G)..... EUROPE
- (L)..... SINGAPORE
- (E)..... SOUTH EUROPE
- (V)..... TAIWAN
- (F)..... RUSSIAN
- (P)..... LATIN AMERICA



6

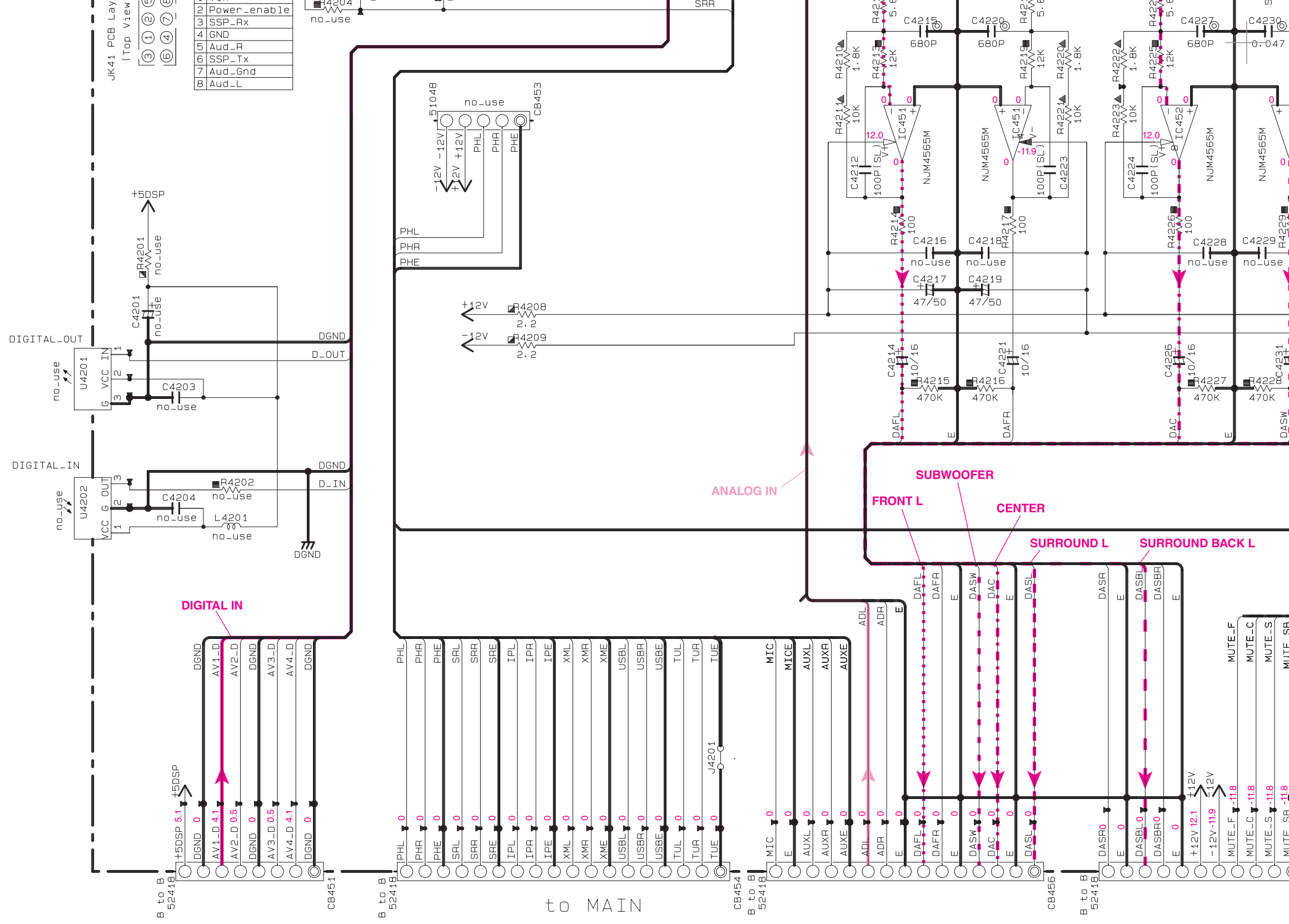
7

8

9

10

1	Power_enable
2	SSP_Rx
3	GND
4	Aud_R
5	SSP_Tx
6	Aud_Gnd
7	Aud_L
8	



Page 101 [A3] to MAIN (1)\_CB152

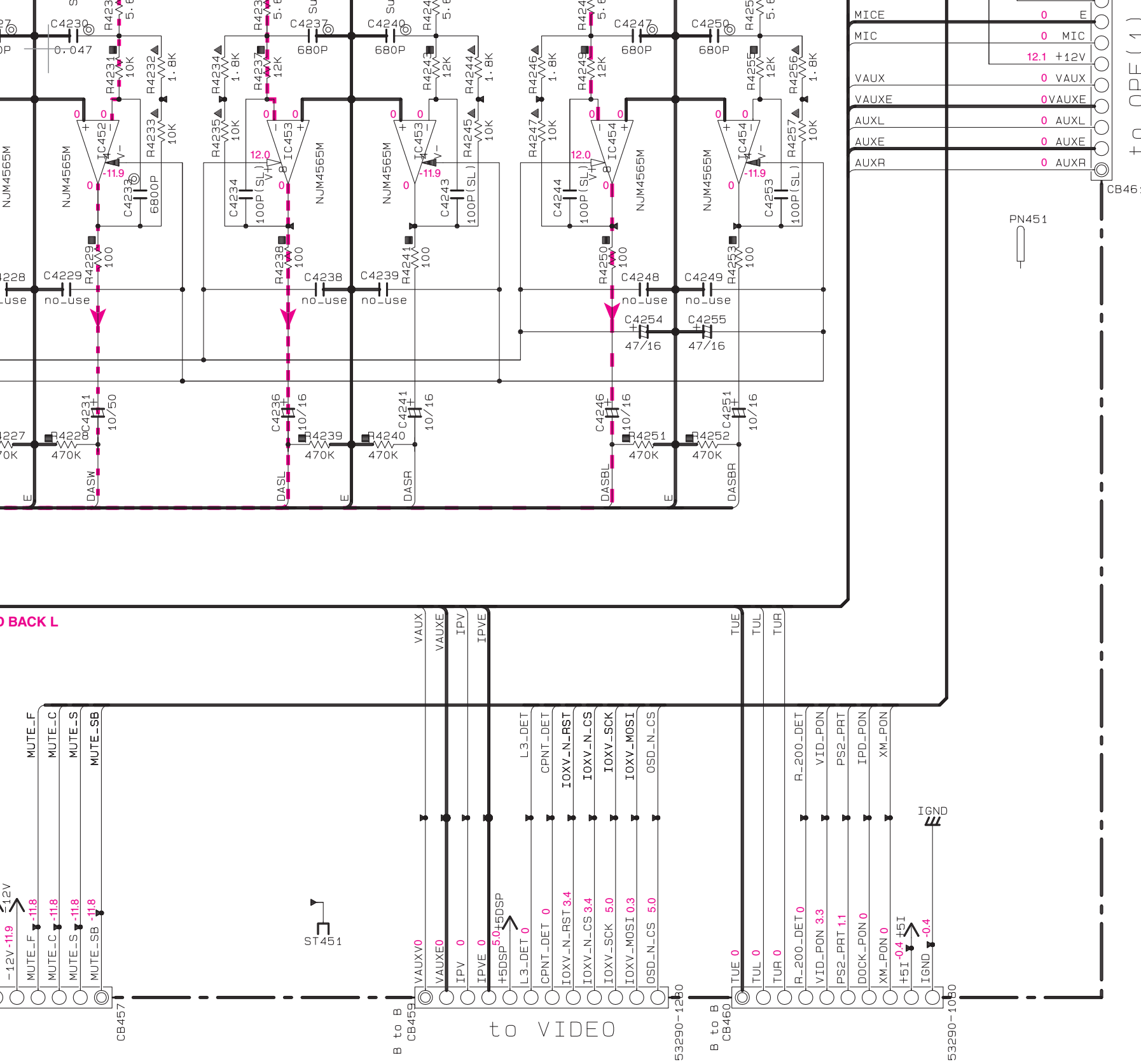
Page 101 [B5] to MAIN (1)\_CB153

Page 101 [B6] to MAIN (1)\_CB154

Page 101 [B7] to MAIN (1)\_CB155

A	B
C	D





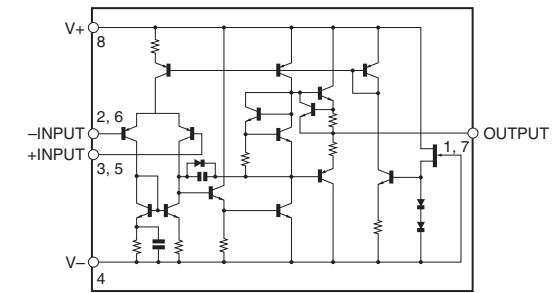
MICE	0	MIC
VAUX	12.1	+12V
VAUXE	0	VAUXE
AUXL	0	AUXL
AUXE	0	AUXE
AUXR	0	AUXR

CB461

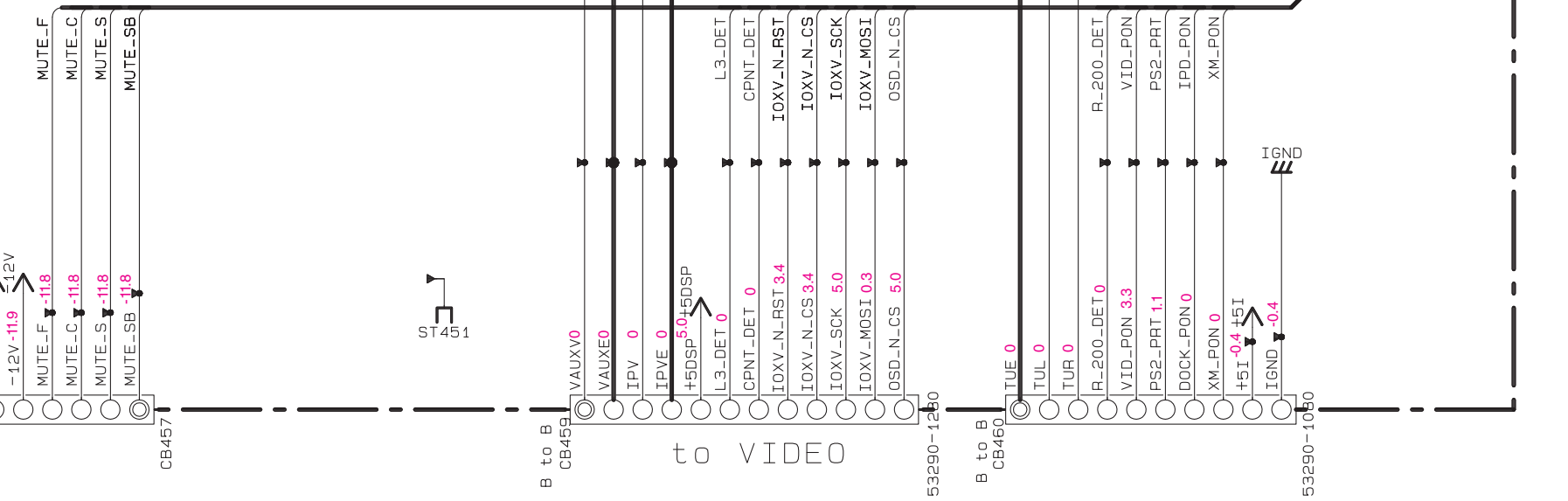
to OPE(1)

Page 98 J9  
to OPERATION (1)\_CB402

IC451-454: NJM4565M (TE1)  
Dual operational amplifier



BACK L



B7

(1)\_CB155

Page 102 K5

to VIDEO (1)\_CB303

Page 103 L6

to VIDEO (1)\_CB332

- ★ All voltages are measured with a 10MΩ/V DC electronic voltmeter.
- ★ Components having special characteristics are marked Δ and must be replaced with parts having specifications equal to those originally installed.
- ★ Schematic diagram is subject to change without notice.

- 電圧は、内部抵抗 10MΩの電圧計で測定したものです。
- Δ印のある部品は、安全性確保部品を示しています。部品の交換が必要な場合、パーツリストに記載されている部品を使用してください。
- 本回路図は標準回路図です。改良のため予告なく変更することがあります。



A	B
C	D

RX-V567/HTR-5063

MAIN 1/2

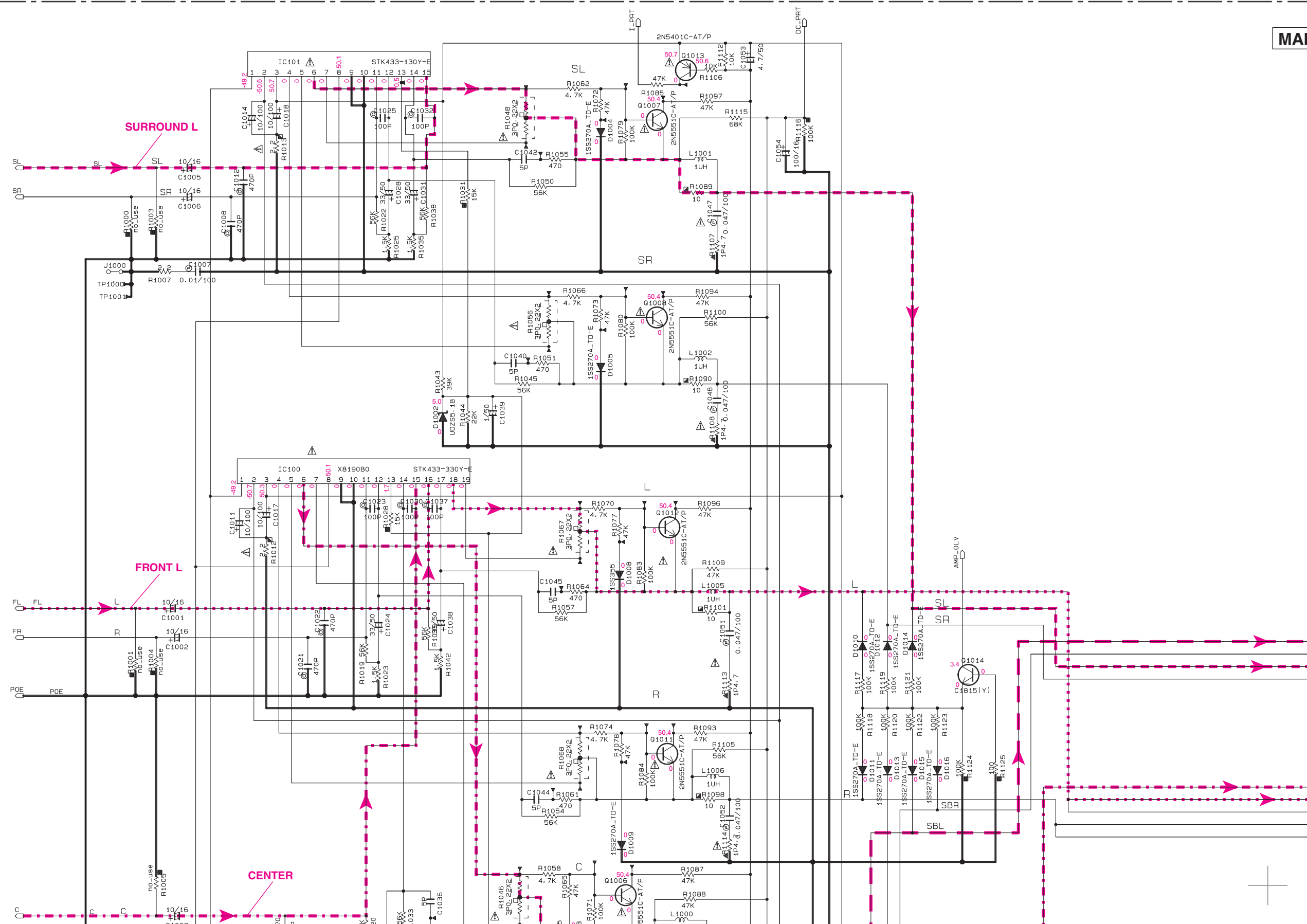
1

2

3

4

5



SURROUND L

FRONT L

CENTER

MAIN

H

I

J

K

L

M

N

MAIN (1)

Destination Part List				
sXX	LOC	JUCTION	R	L
s1	W1006A W1006B	X	WA76540 VH-5298T	WA76540 VH-5298T
s2	W1004B W1004A	X	MH08030	MH08030
s3	W1000A W1000B	X	MH04030	MH04030
s4	W1002B W1002A	X	MH03030	MH03030
s5	W1003A W1003B	X	MH09030	MH09030
s6	W1005B W1005A	X	MH06030	MH06030
s7	W1001B W1001A	X	MH02030	MH02030
s9	SW101	X	WB49370 RB140246	WD07370 RB140254
s10	F1000	X	VV07170 3.15A250V	X
s11	CB158 CB159	X	WN07770 PFC5000-0202F	X
s12	J1001	X	X	VNS0000

RESISTOR

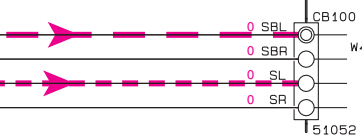
REMARKS	PARTS NAME
NO MARK	CARBON FILM RESISTOR (P=5)
☒	CARBON FILM RESISTOR (P=10)
△	METAL OXIDE FILM RESISTOR
▲	METAL FILM RESISTOR
☒	METAL PLATE RESISTOR
▨	FIRE PROOF CARBON FILM RESISTOR
□	CEMENT MOLDED RESISTOR
⊗	SEMI VARIABLE RESISTOR
■	CHIP RESISTOR

CAPACITOR

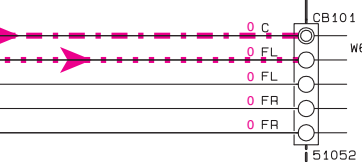
REMARKS	PARTS NAME
NO MARK	ELECTROLYTIC CAPACITOR
⊗	TANTALUM CAPACITOR
NO MARK	CERAMIC CAPACITOR
●	CERAMIC TUBULAR CAPACITOR
⊙	POLYESTER FILM CAPACITOR
○	POLYSTYRENE FILM CAPACITOR
⊖	MICA CAPACITOR
⊕	POLYPROPYLENE FILM CAPACITOR
●	SEMICONDUCTIVE CERAMIC CAPACITOR
⊙	POLYPHENYLENE SULFIDE FILM CAPACITOR

NOTICE (mode1)

- (J)..... JAPAN
- (U)..... U. S. A
- (C)..... CANADA
- (R)..... GENERAL
- (T)..... CHINA
- (K)..... KOREA
- (A)..... AUSTRALIA
- (B)..... BRITISH
- (G)..... EUROPE
- (L)..... SINGAPORE
- (E)..... SOUTH EUROPE
- (V)..... TAIWAN
- (F)..... RUSSIAN
- (P)..... LATIN AMERICA

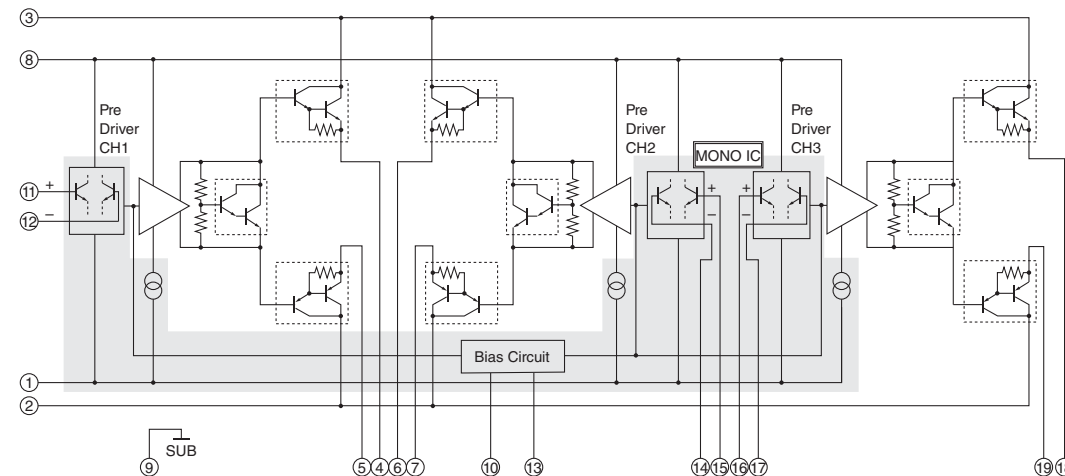


Page 103 B6  
to VIDEO (1)\_CB343

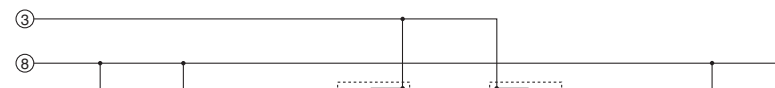


Page 103 B6  
to VIDEO (1)\_CB342

IC100: STK433-330Y-E  
3-channel AF power amplifier, stand-by circuit built-in



IC101, 102: STK433-130Y-E  
2-channel AF power amplifier, stand-by circuit built-in



6

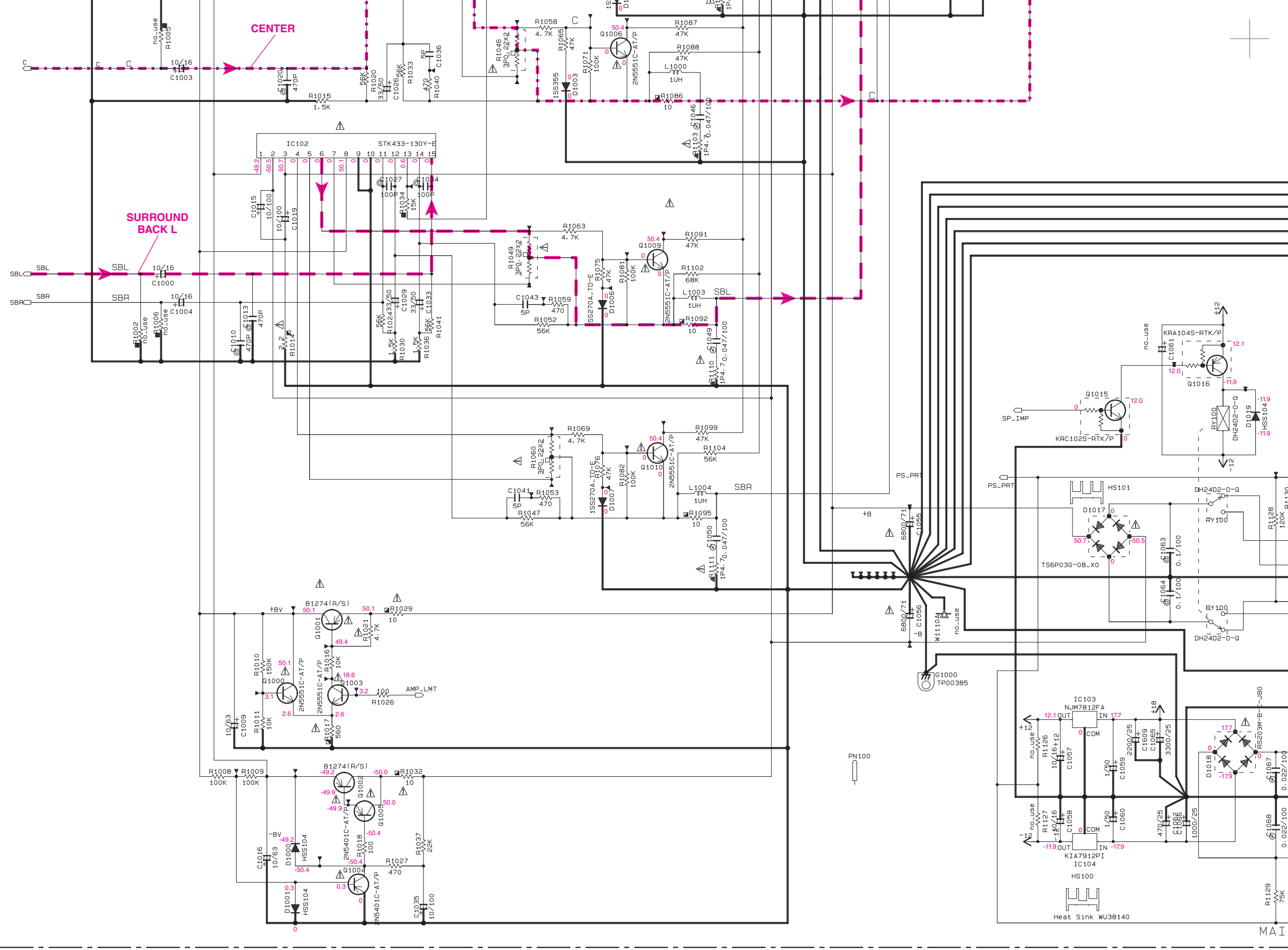
7

8

9

10

100

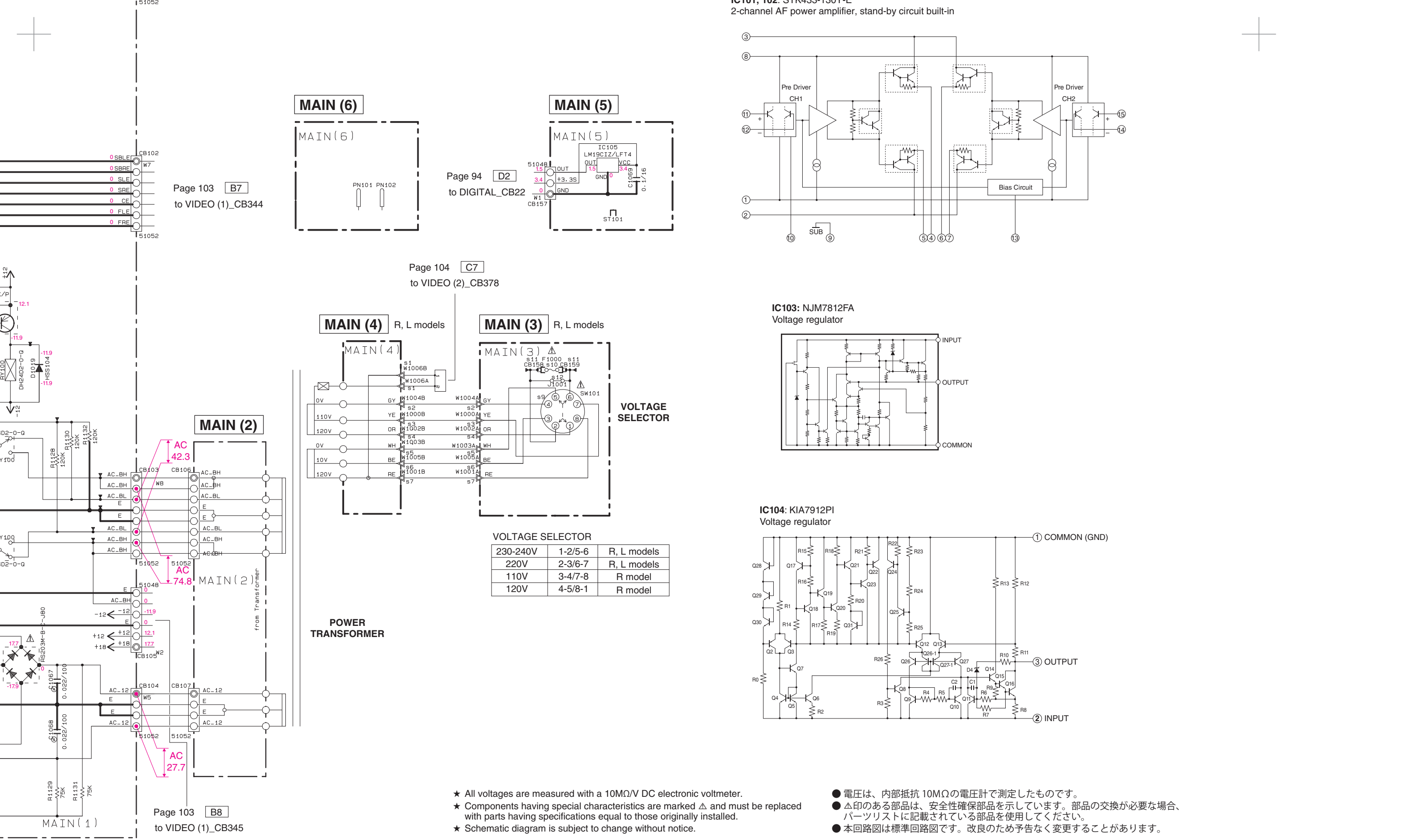


RX-V567/HTR-5063

A	B
C	D

MAIN 1/2



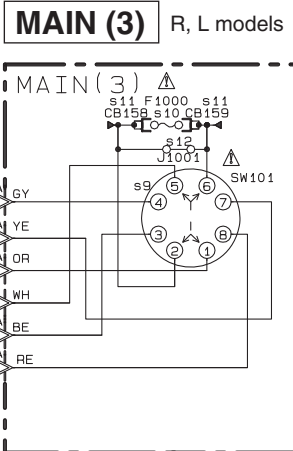
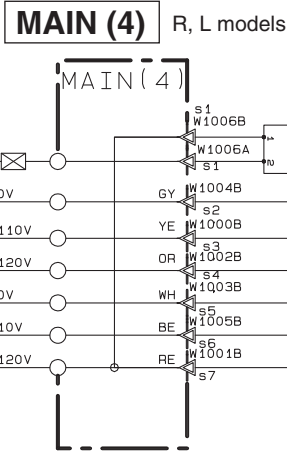
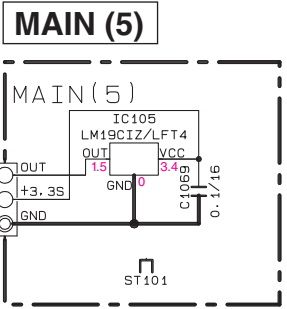
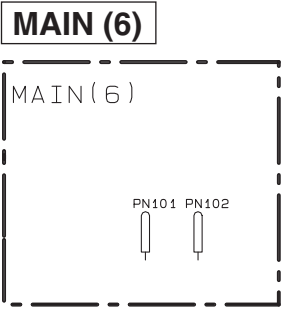


Page 103 **B7**  
to VIDEO (1)\_CB344

Page 104 **C7**  
to VIDEO (2)\_CB378

Page 103 **B8**  
to VIDEO (1)\_CB345

Page 94 **D2**  
to DIGITAL\_CB22

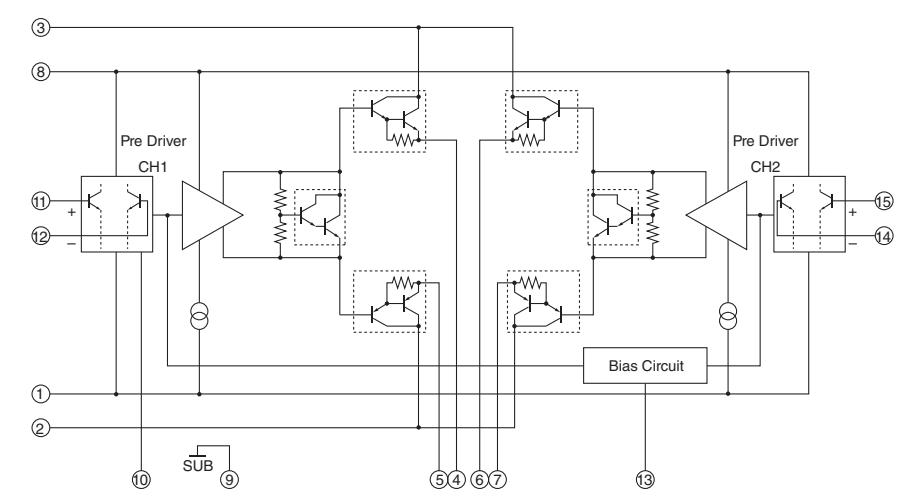


**VOLTAGE SELECTOR**

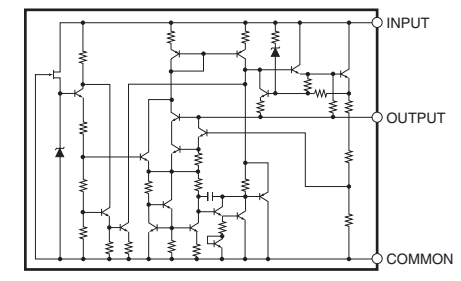
230-240V	1-2/5-6	R, L models
220V	2-3/6-7	R, L models
110V	3-4/7-8	R model
120V	4-5/8-1	R model

**POWER TRANSFORMER**

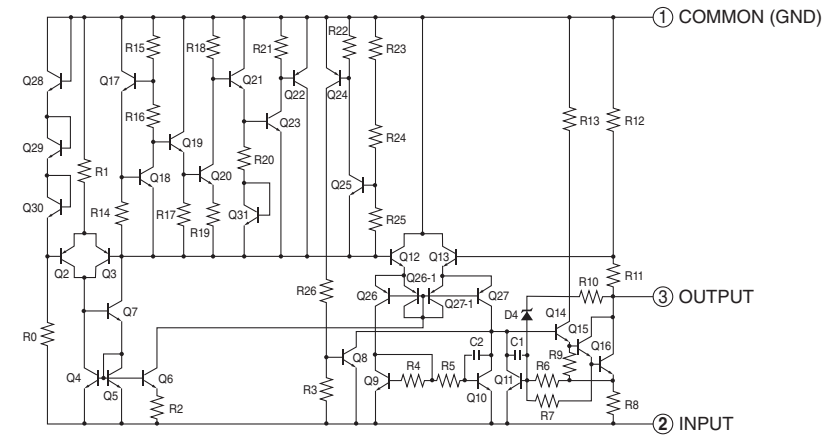
IC101, 102: STR455-1501-L  
2-channel AF power amplifier, stand-by circuit built-in



IC103: NJM7812FA  
Voltage regulator



IC104: KIA7912PI  
Voltage regulator

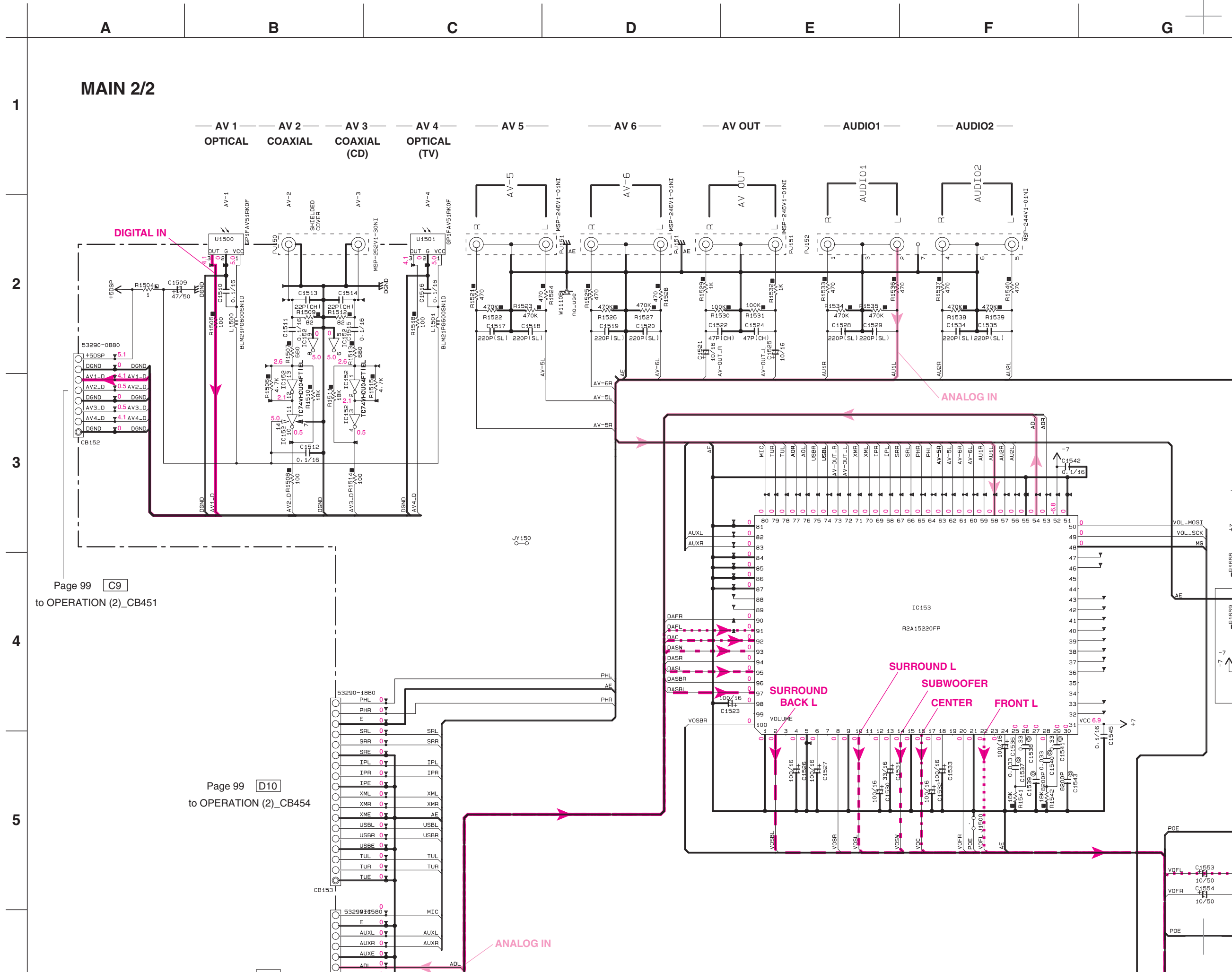


- ★ All voltages are measured with a 10MΩ/V DC electronic voltmeter.
- ★ Components having special characteristics are marked Δ and must be replaced with parts having specifications equal to those originally installed.
- ★ Schematic diagram is subject to change without notice.

- 電圧は、内部抵抗 10MΩの電圧計で測定したものです。
- Δ印のある部品は、安全性確保部品を示しています。部品の交換が必要な場合、パーツリストに記載されている部品を使用してください。
- 本回路図は標準回路図です。改良のため予告なく変更することがあります。

A	B
C	D

MAIN 2/2



Page 99 C9 to OPERATION (2)\_CB451

Page 99 D10 to OPERATION (2)\_CB454

VQFL C1553 10/50 1  
VQFR C1554 10/50 1  
POE

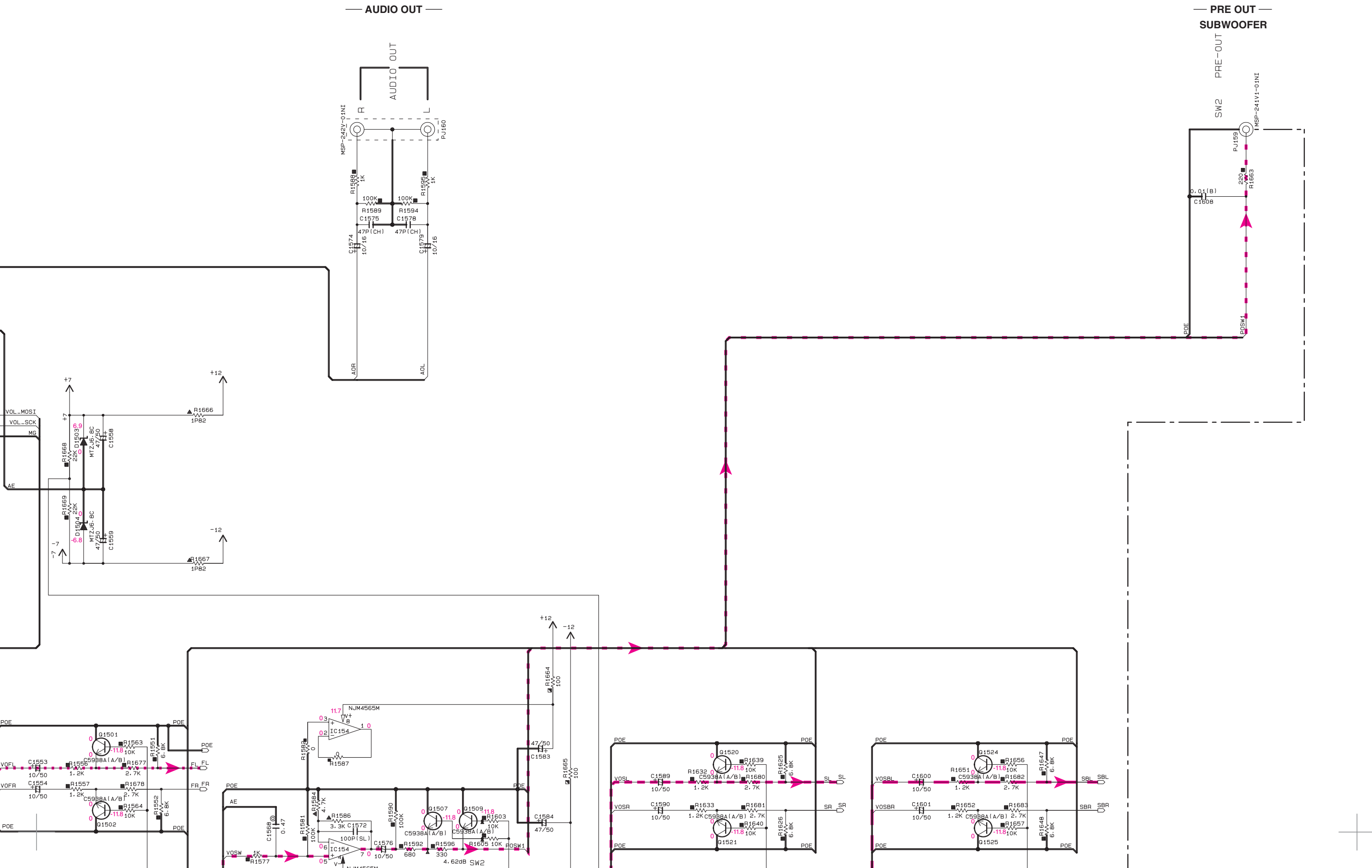
A	B
C	D



RX-V567/HTR-5063

AUDIO OUT

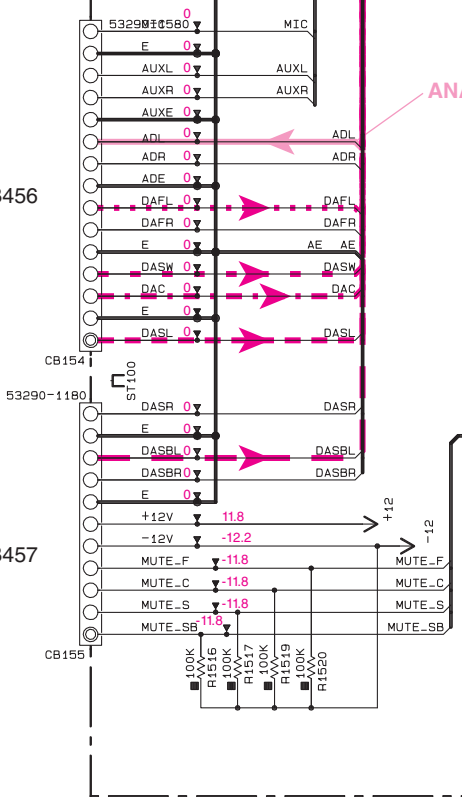
PRE OUT  
SUBWOOFER





6

Page 99 **F10**  
to OPERATION (2)\_CB456



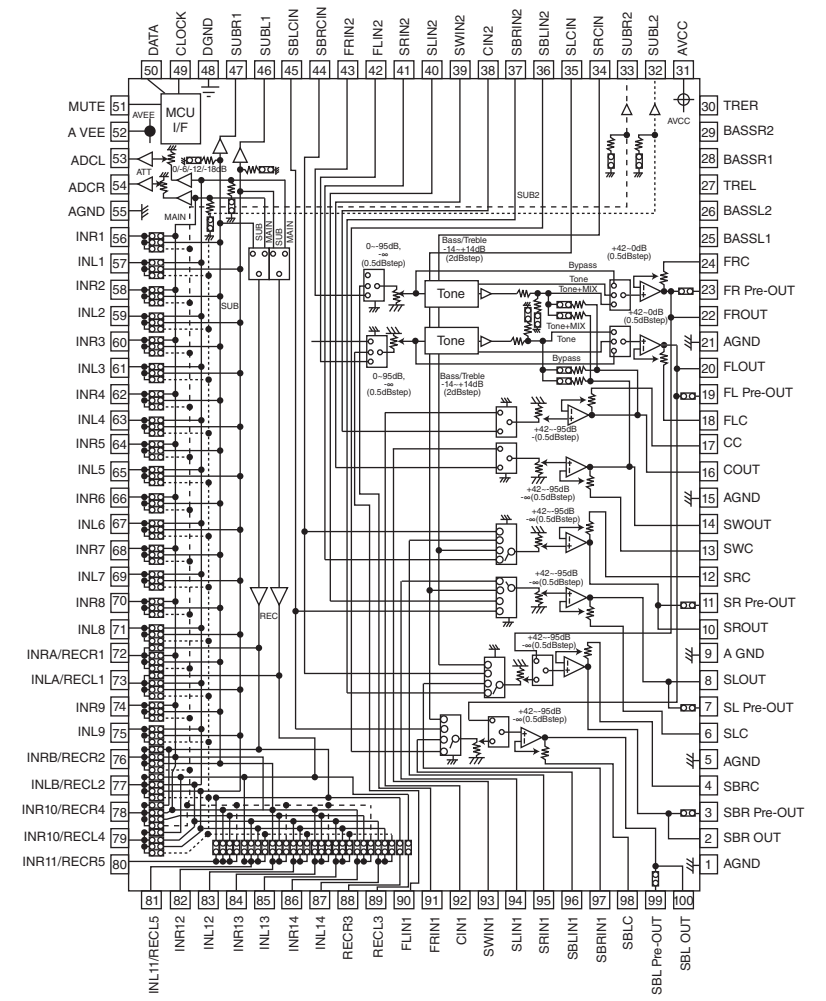
Page 99 **G10**  
to OPERATION (2)\_CB457

**MAIN (1)**

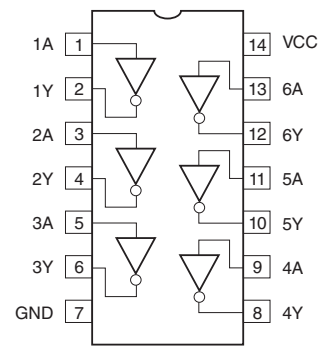
7

8

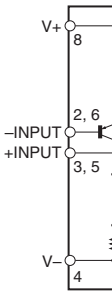
**IC153: R2A15220FP**  
8-channel electronic volume with 11 input selector and tone control



**IC152: TC74VHC04FT**  
Hex inverters



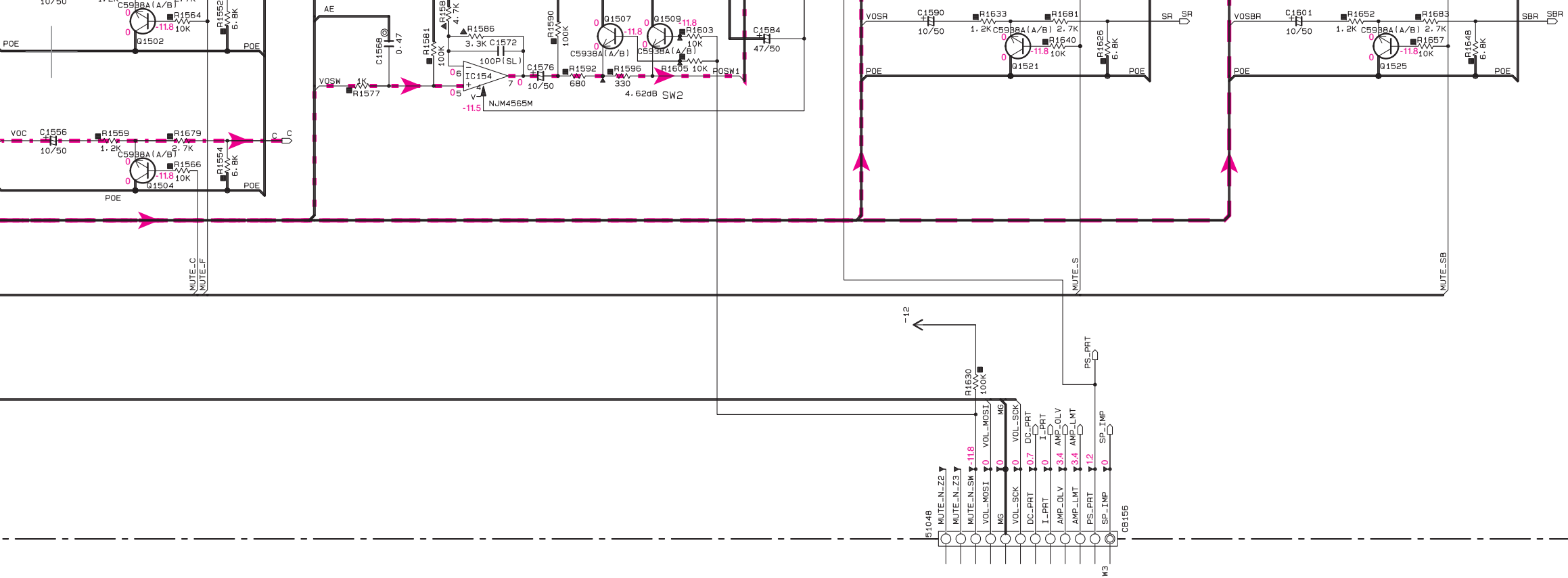
**IC154:**  
Dual op



9

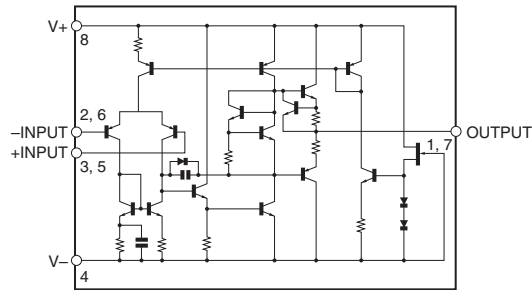
10





Page 94 E2  
to DIGITAL\_CB23

IC154: NJM4565M (TE1)  
Dual operational amplifier



- ★ All voltages are measured with a 10MΩ/V DC electronic voltmeter.
- ★ Components having special characteristics are marked Δ and must be replaced with parts having specifications equal to those originally installed.
- ★ Schematic diagram is subject to change without notice.

- 電圧は、内部抵抗 10MΩの電圧計で測定したものです。
- Δ印のある部品は、安全性確保部品を示しています。部品の交換が必要な場合、パーツリストに記載されている部品を使用してください。
- 本回路図は標準回路図です。改良のため予告なく変更することがあります。

RESISTOR

REMARKS	PARTS NAME
NO MARK	CARBON FILM RESISTOR (P=5)
☒	CARBON FILM RESISTOR (P=10)
△	METAL OXIDE FILM RESISTOR
▲	METAL FILM RESISTOR
☒	METAL PLATE RESISTOR
☒	FIRE PROOF CARBON FILM RESISTOR
□	CEMENT MOLDED RESISTOR
⊙	SEMI VARIABLE RESISTOR
■	CHIP RESISTOR

CAPACITOR

REMARKS	PARTS NAME	
NO MARK	ELECTROLYTIC CAPACITOR	⊘
⊗	TANTALUM CAPACITOR	
NO MARK	CERAMIC CAPACITOR	
●	CERAMIC TUBULAR CAPACITOR	
⊙	POLYESTER FILM CAPACITOR	
○	POLYSTYRENE FILM CAPACITOR	
⊖	MICA CAPACITOR	
⊕	POLYPROPYLENE FILM CAPACITOR	
●	SEMICONDUCTIVE CERAMIC CAPACITOR	

A	B
C	D

A	B
C	D

RX-V567/HTR-5063

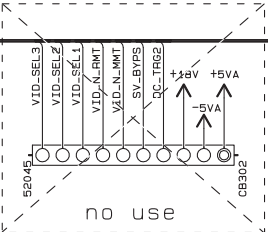
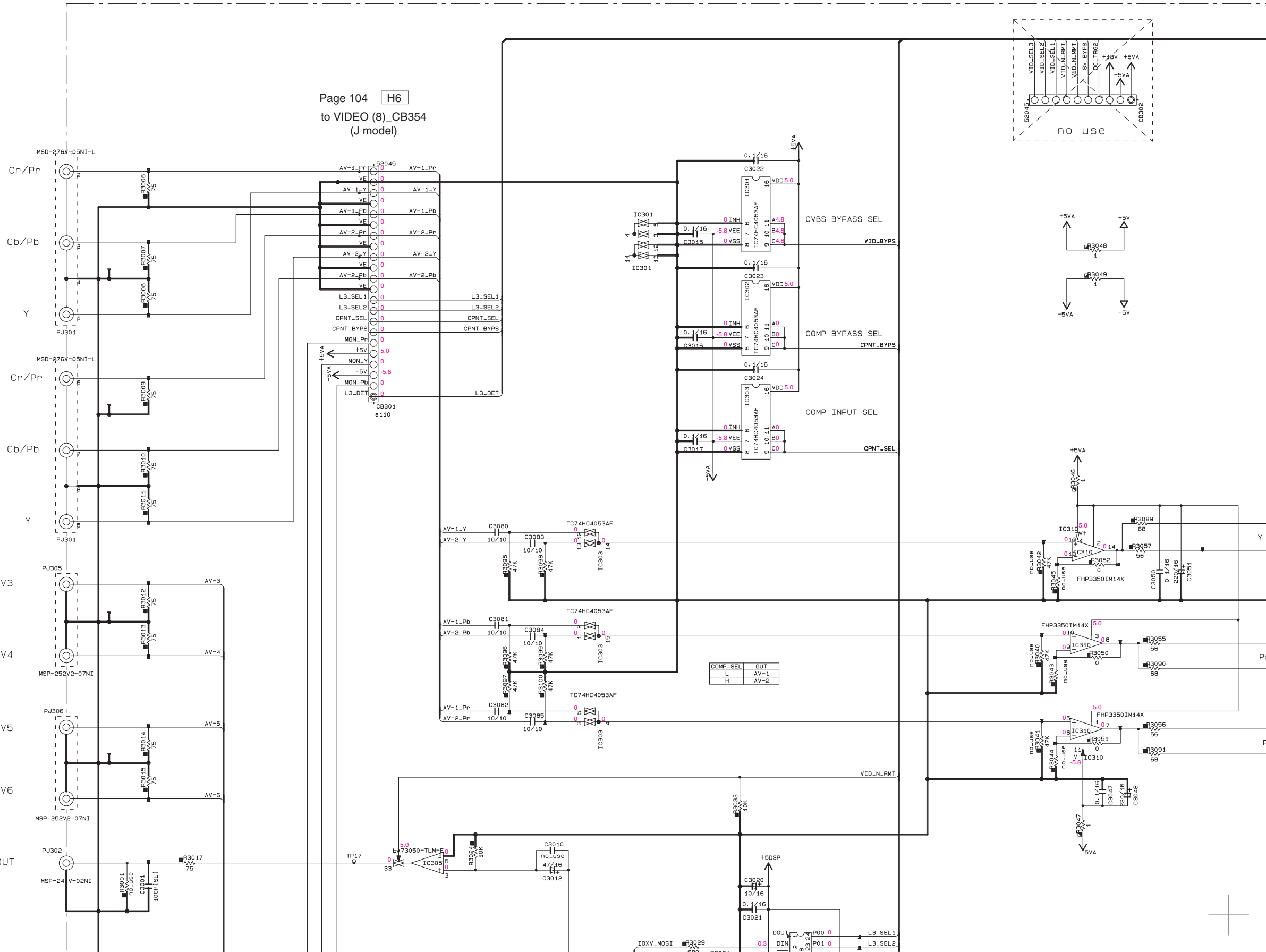
VIDEO 1/3

Page 104 H6  
to VIDEO (8)\_CB354  
(J model)

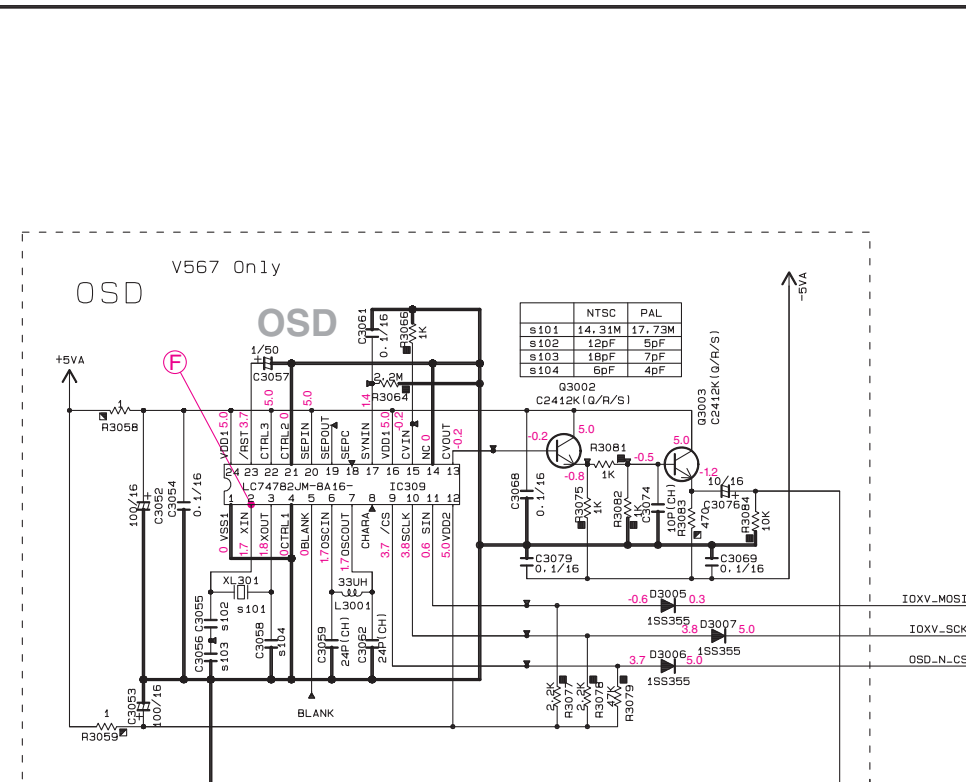
COMPONENT VIDEO

VIDEO

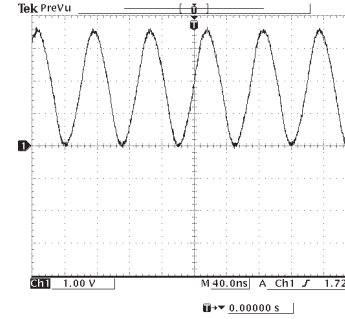
AV OUT



COMP_SEL	OUT
L	AV-1
H	AV-2



POINT F XL301 (Pin 2 of IC309)



RESISTOR

REMARKS	PARTS NAME
NO MARK	CARBON FILM RESISTOR (P=5)
☑	CARBON FILM RESISTOR (P=10)
△	METAL OXIDE FILM RESISTOR
▲	METAL FILM RESISTOR
⊠	METAL PLATE RESISTOR
⊞	FIRE PROOF CARBON FILM RESISTOR
□	CEMENT MOLDED RESISTOR
⊙	SEMI VARIABLE RESISTOR
■	CHIP RESISTOR

NOTICE (model)

(J)..... JAPAN  
 (U)..... U.S.A  
 (C)..... CANADA  
 (R)..... GENERAL  
 (T)..... CHINA  
 (K)..... KOREA  
 (A)..... AUSTRALIA  
 (B)..... BRITISH  
 (G)..... EUROPE  
 (L)..... SINGAPORE  
 (E)..... SOUTH EUROPE  
 (V)..... TAIWAN  
 (F)..... RUSSIAN  
 (P)..... LATIN AMERICA

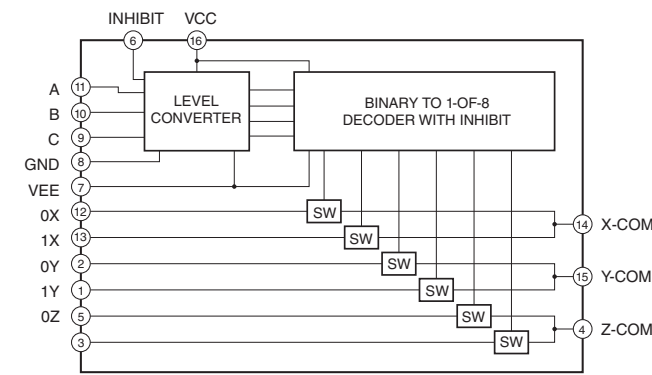
CAPACITOR

REMARKS	PARTS NAME
NO MARK	ELECTROLYTIC CAPACITOR
⊗	TANTALUM CAPACITOR
NO MARK	CERAMIC CAPACITOR
⊙	CERAMIC TUBULAR CAPACITOR
⊚	POLYESTER FILM CAPACITOR
○	POLYSTYRENE FILM CAPACITOR
Ⓜ	MICA CAPACITOR
Ⓟ	POLYPROPYLENE FILM CAPACITOR
Ⓢ	SEMICONDUCTIVE CERAMIC CAPACITOR

Destination Part List

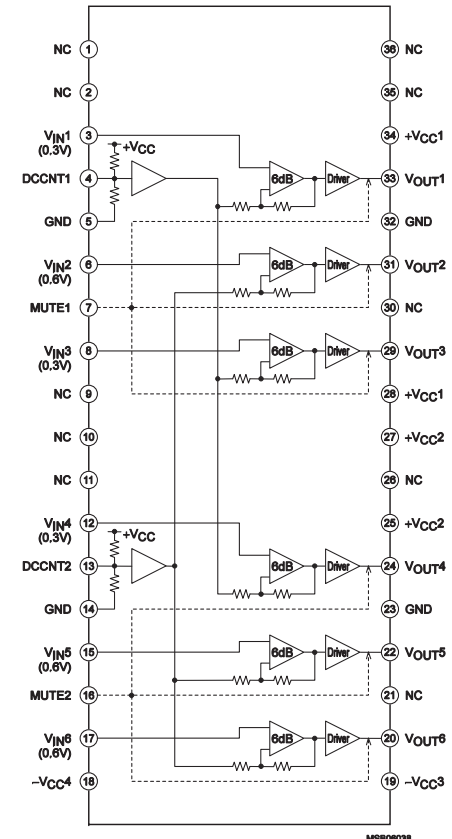
sXX	LDC	J	UC	R	T	A	BGF	L	K
s101	XL301	VV94980 14.31818MHZ	VV94980 14.31818MHZ	VV94980 14.31818MHZ	WK19610 17.734475MHZ	WK19610 17.734475MHZ	WK19610 17.734475MHZ	WK19610 17.734475MHZ	VV94980 14.31818MHZ
s102	C3055	US06112 12P(CH)	US06112 12P(CH)	US06112 12P(CH)	US06050 5P(CH)	US06050 5P(CH)	US06050 5P(CH)	US06050 5P(CH)	US06112 12P(CH)
s103	C3056	US06118 18P(CH)	US06118 18P(CH)	US06118 18P(CH)	US06070 7P(CH)	US06070 7P(CH)	US06070 7P(CH)	US06070 7P(CH)	US06118 18P(CH)
s104	C3058	US06050 5P(CH)	US06050 5P(CH)	US06050 5P(CH)	US06040 4P(CH)	US06040 4P(CH)	US06040 4P(CH)	US06040 4P(CH)	US06050 5P(CH)
s110	CB301	V004770 52045	X	X	X	X	X	X	X
s111	R3085 R3087 R3086	RD35475 75	X	X	X	X	X	X	X

IC301-303: TC74HC4053AF  
Analog multiplexer/demultiplexer



INPUT STATES	INHIBIT			"ON" CHANNEL (S)
	C	B	A	
0	0	0	0	0X, 0Y, 0Z
0	0	0	1	1X, 0Y, 0Z
0	0	1	0	0X, 1Y, 0Z
0	0	1	1	1X, 1Y, 0Z
0	1	0	0	0X, 0Y, 1Z
0	1	0	1	1X, 0Y, 1Z
0	1	1	0	0X, 1Y, 1Z
0	1	1	1	1X, 1Y, 1Z
1	X	X	X	NONE

IC305: LA73050-TLM-E  
6-channel 75-ohm video driver



6

7

8

9

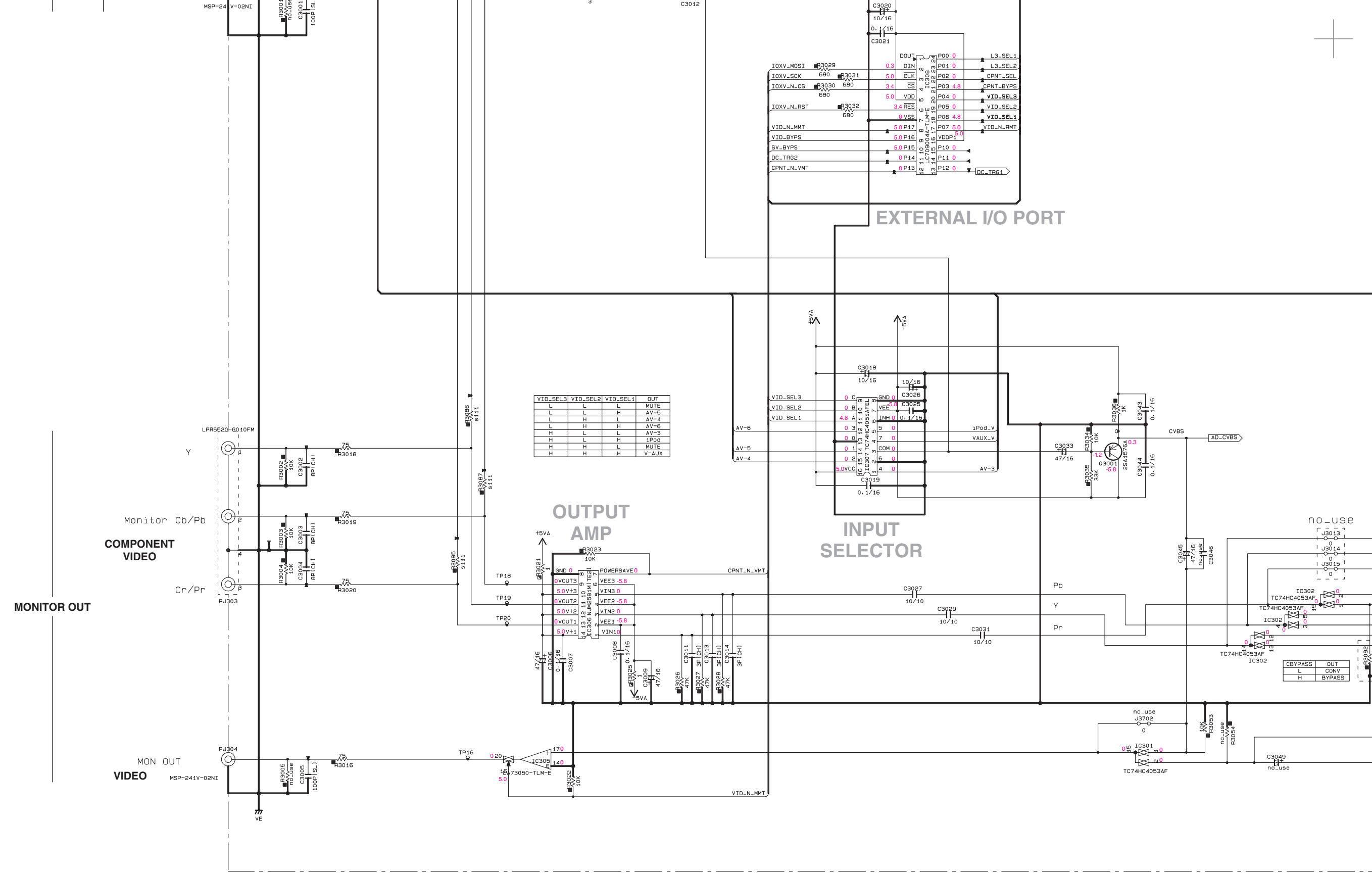
10

102

RX-V567/HTR-5063

A	B
C	D

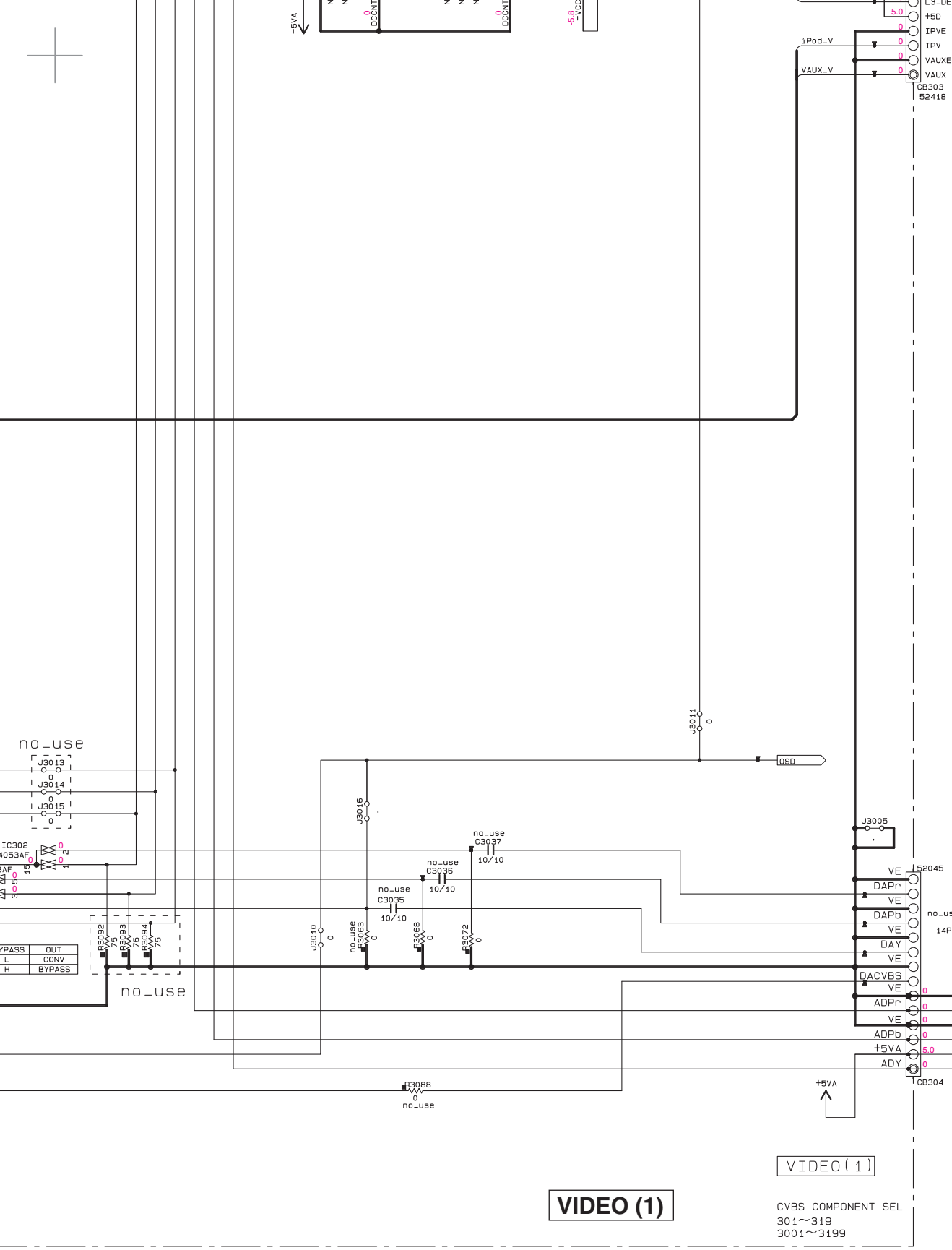
VIDEO 1/3



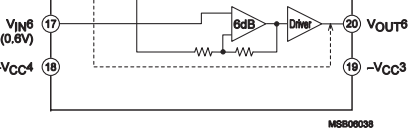
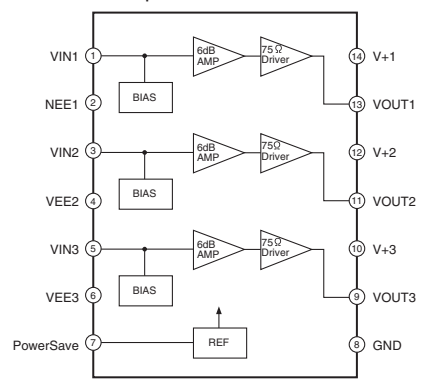
VID_SEL3	VID_SEL2	VID_SEL1	OUT
L	L	L	MUTE
L	L	H	AV-5
L	H	L	AV-4
L	H	H	AV-6
H	L	L	AV-3
H	L	H	IPod
H	H	L	MUTE
H	H	H	V-AUX

CBYPASS	OUT
L	CONV
H	BYPASS

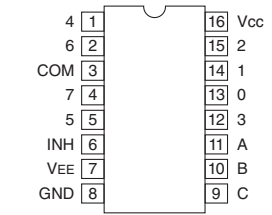




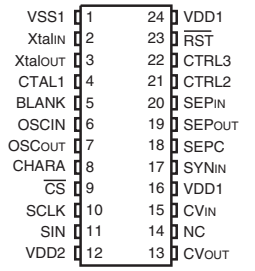
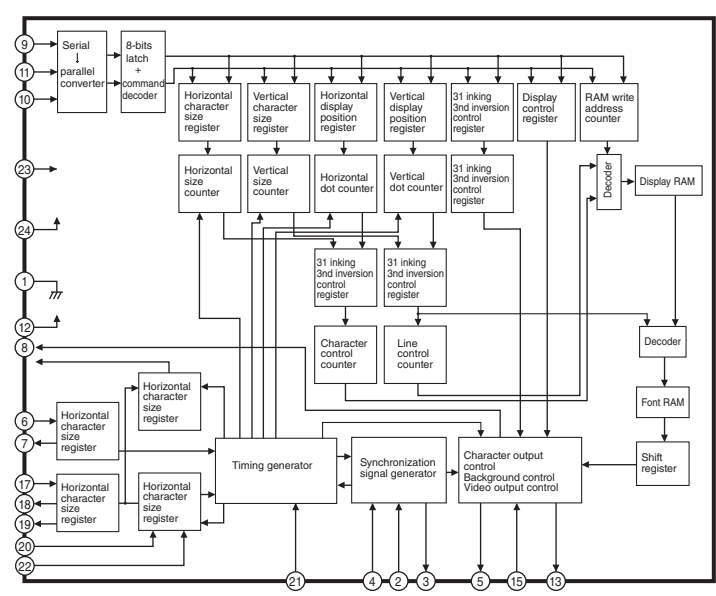
**IC306: NJM2581M**  
Video amplifier



**IC307: TC74HC4051AFEL**  
8-channel analog multiplexer/demultiplexer



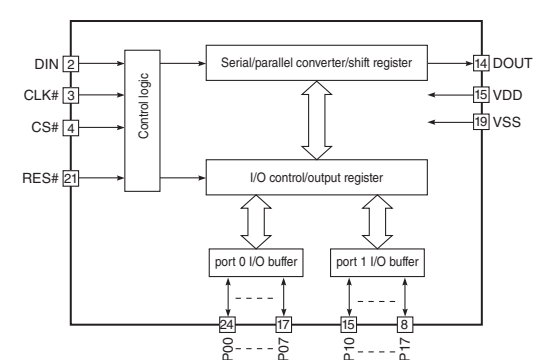
**IC309: LC74782JM-8A16-TLMC**  
The on-screen display controller LSI



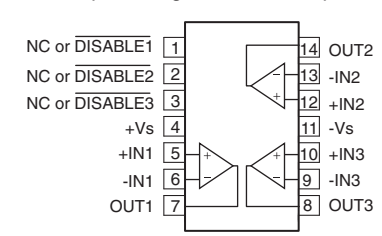
To Digital

6P1in Page 97 H1  
to DIGITAL\_CB72

**IC308: LC709004A-TLM-E**  
I/O-expander for microcontroller



**IC310: FHP3350IM14X**  
Triple voltage feedback amplifier



- ★ All voltages are measured with a 10MΩ/V DC electronic voltmeter.
- ★ Components having special characteristics are marked Δ and must be replaced with parts having specifications equal to those originally installed.
- ★ Schematic diagram is subject to change without notice.

- 電圧は、内部抵抗 10MΩの電圧計で測定したものです。
- Δ印のある部品は、安全性確保部品を示しています。部品の交換が必要な場合、パーツリストに記載されている部品を使用してください。
- 本回路図は標準回路図です。改良のため予告なく変更することがあります。

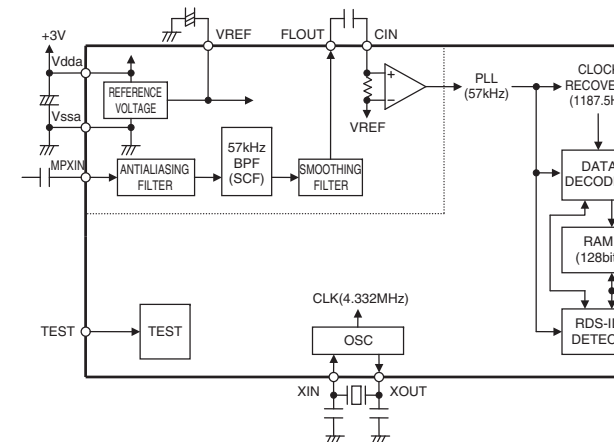
A	B
C	D

A	B
C	D

VIDEO 2/3

Destination Part List									
sXX	LOC	J	UC	R	T	A	BGF	L	K
s201	IC321	X	X	X	X	X	X8235A0 LC72725KM-UY-TL	X	X
s202	XL321	X	X	X	X	X	V273110 4.332MHZ	X	X
s203	C3201 C3203	X	X	X	X	X	U506127 27P(CH)	X	X
s204	C3209 C3205 C3204	X	X	X	X	X	US13510 0.1/16	X	X
s205	R3203 R3201	X	X	X	X	X	RD35510 100	X	X
s206	C3202	X	X	X	X	X	UR83710 10/16	X	X
s207	C3206	X	X	X	X	X	U506256 560P(SL)	X	X
s208	R3202	X	X	X	X	X	RD35651 5.1K	X	X
s209	C3207 C3208	X	X	X	X	X	U506233 330P(SL)	X	X
s210	R3204	X	X	X	X	X	RD35722 22K	X	X
s211	R3205	X	X	X	X	X	RD35633 3.3K	X	X
s212	Q3201	X	X	X	X	X	IC17402 C1740S(R/S)	X	X
s213	R3206	X	X	X	X	X	RD35810 100K	X	X
s214	R3207	X	X	X	X	X	RD35733 33K	X	X
s215	R3208	X	X	X	X	X	HV75568 680	X	X
s216	D3201	X	X	X	X	X	VG43610 MTZJ3.3B	X	X
s217	C3211	X	X	X	X	X	UR23747 47/16	X	X
s281	TE342	WK56100 MST-207V1-01	WK56100 MST-207V1-01	WK56100 MST-207V1-01	WK56100 MST-207V1-01	WK56100 MST-207V1-01	WK56110 MST-207V1-01	WK56110 MST-207V1-01	WK56110 MST-207V1-01
s282	TE343 TE341	WK56080 MST-204V1-01	WK56080 MST-204V1-01	WK56080 MST-204V1-01	WK56080 MST-204V1-01	WK56080 MST-204V1-01	WK56090 MST-204V1-01	WK56090 MST-204V1-01	WK56090 MST-204V1-01
s292	R3350	X	X	HF45622 2.2K	X	X	X	X	X
s293	D3350	X	X	VU17280 UDZ512B	X	X	X	X	X

IC321: LC72725KM-UY-TLM-E  
RDS signal demodulation IC

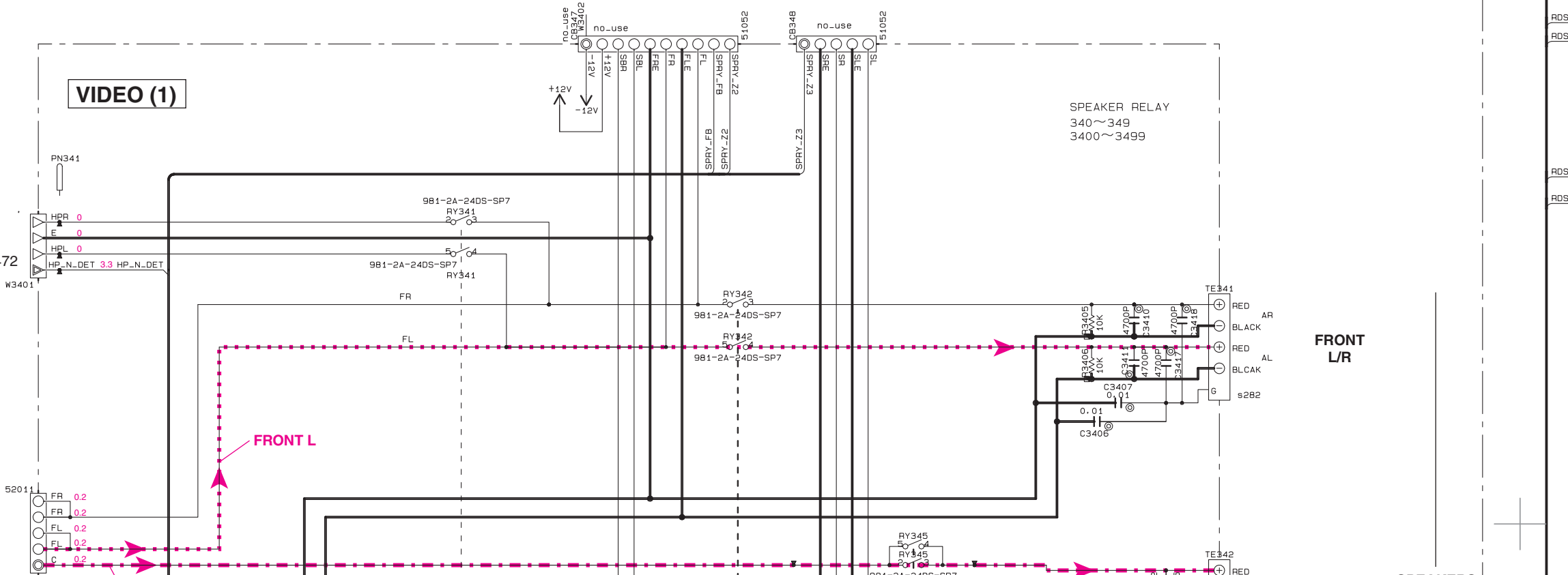


4

5

Page 98 M5  
to OPERATION (3)\_CB472

Page 100 H5  
to MAIN (1)\_CB101



FRONT L/R

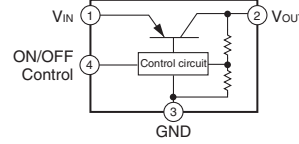
NOTICE (mode1)

- (J)..... JAPAN
- (U)..... U. S. A
- (C)..... CANADA
- (R)..... GENERAL
- (T)..... CHINA
- (K)..... KOREA
- (A)..... AUSTRALIA
- (B)..... BRITISH
- (G)..... EUROPE
- (L)..... SINGAPORE
- (E)..... SOUTH EUROPE
- (V)..... TAIWAN
- (F)..... RUSSIAN
- (P)..... LATIN AMERICA

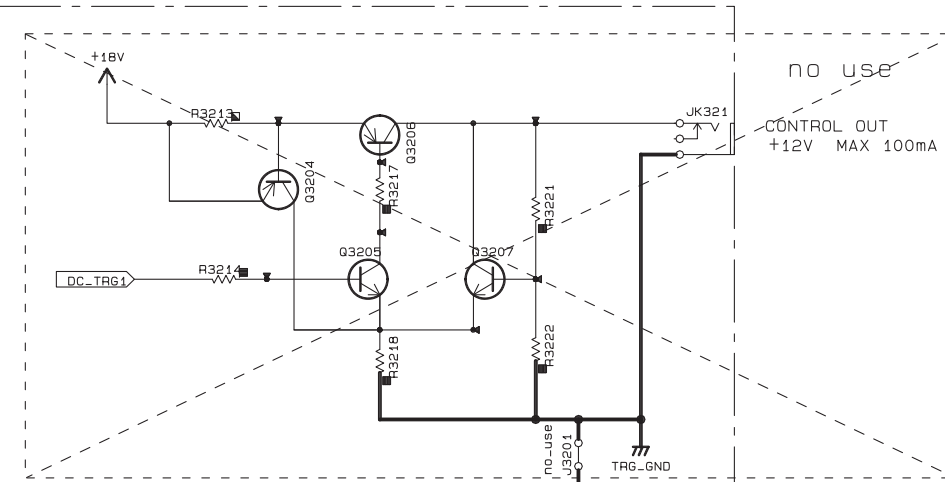
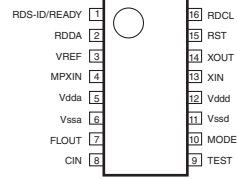
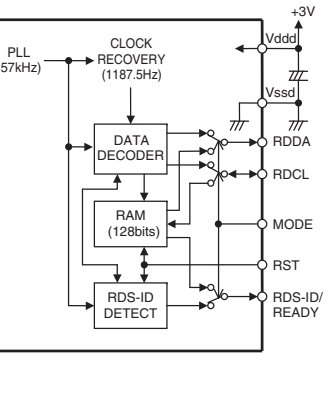
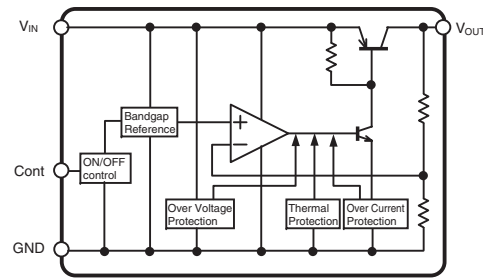
REMARKS	PARTS NAME
NO MARK	CARBON FILM RESISTOR (P=5)
□	CARBON FILM RESISTOR (P=10)
△	METAL OXIDE FILM RESISTOR
▲	METAL FILM RESISTOR
⊠	METAL PLATE RESISTOR
■	FIRE PROOF CARBON FILM RESISTOR
□	CEMENT MOLDED RESISTOR
⊗	SEMI VARIABLE RESISTOR
■	CHIP RESISTOR

REMARKS	PARTS NAME
NO MARK	ELECTROLYTIC CAPACITOR
⊗	TANTALUM CAPACITOR
NO MARK	CERAMIC CAPACITOR
⊙	CERAMIC TUBULAR CAPACITOR
⊕	POLYESTER FILM CAPACITOR
○	POLYSTYRENE FILM CAPACITOR
⊖	MICA CAPACITOR
⊕	POLYPROPYLENE FILM CAPACITOR
⊙	SEMICONDUCTIVE CERAMIC CAPACITOR

**IC331: NJM2396F05**  
Low dropout voltage regulator with ON/OFF control

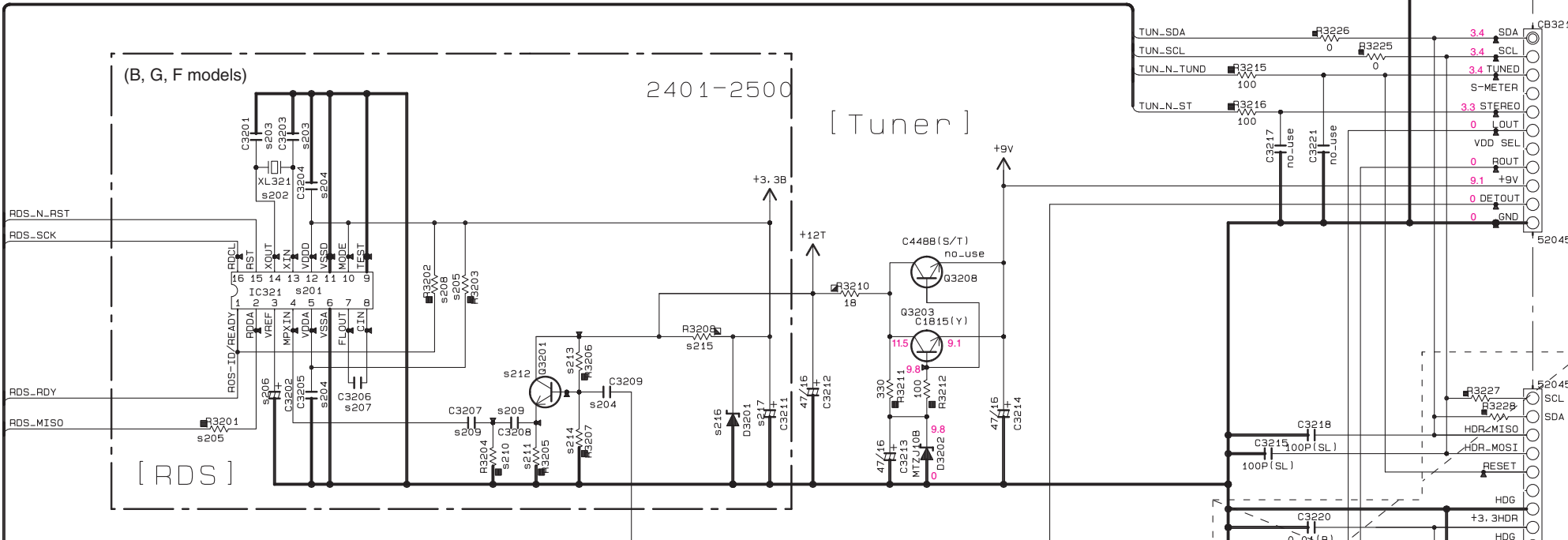


**IC334: NJM2388F05**  
Low dropout voltage regulator with ON/OFF control



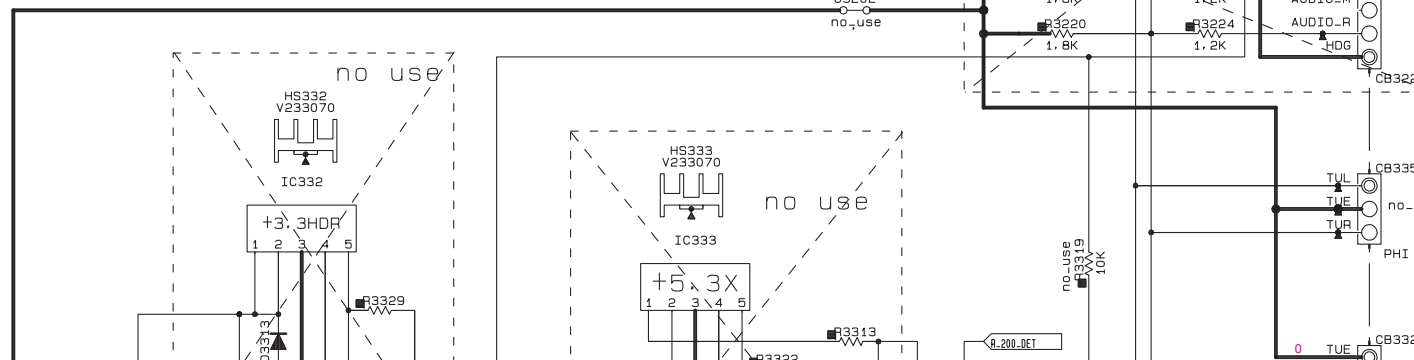
TRIGGER & TUNER  
320~329  
3200~3299

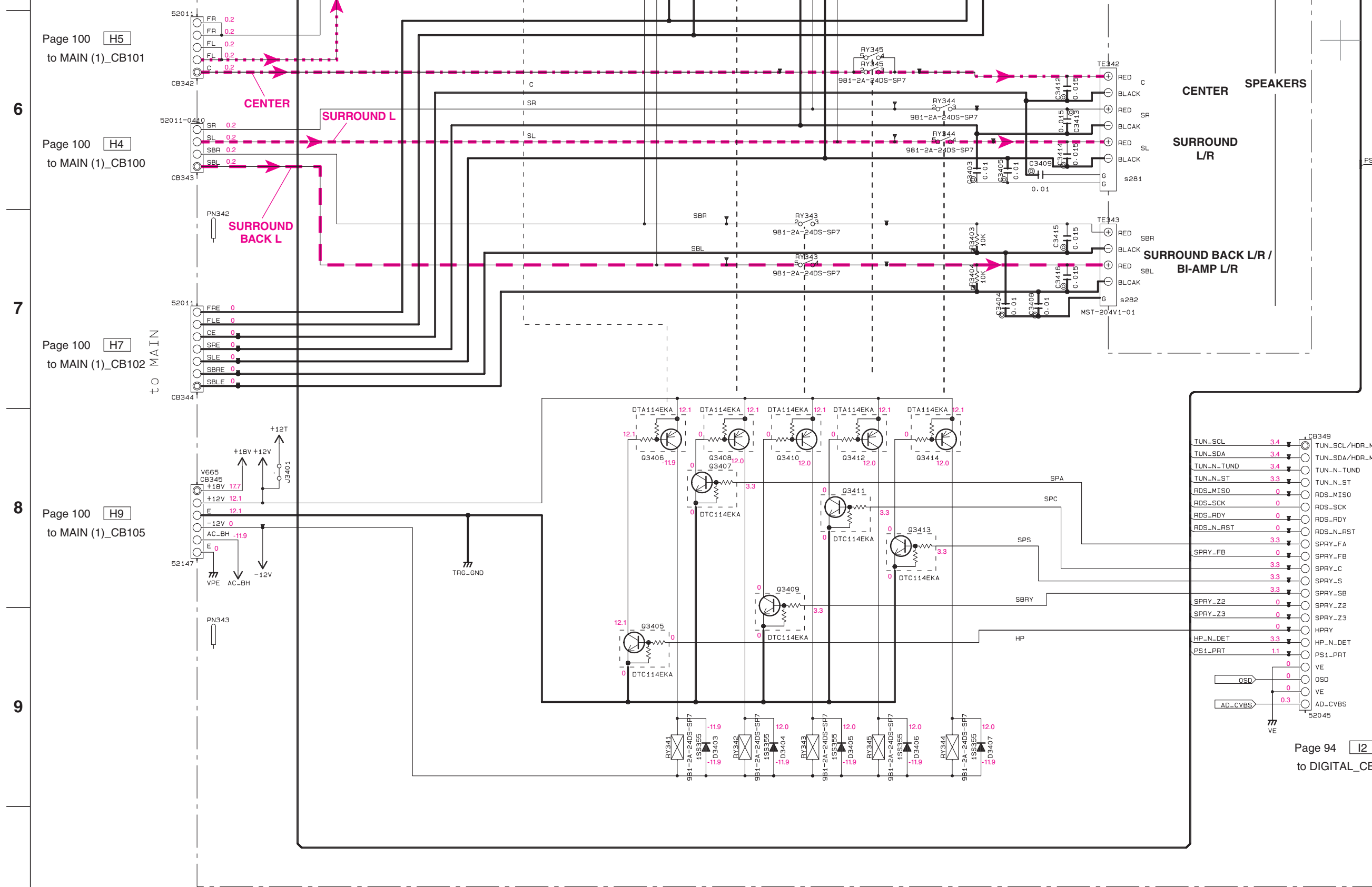
VIDEO (1)



to TUNER PACK  
To AM/FM TUNER

to HD RADIO





Page 100 **H5**  
to MAIN (1)\_CB101

Page 100 **H4**  
to MAIN (1)\_CB100

Page 100 **H7**  
to MAIN (1)\_CB102

Page 100 **H9**  
to MAIN (1)\_CB105

CENTER SPEAKERS

SURROUND L/R

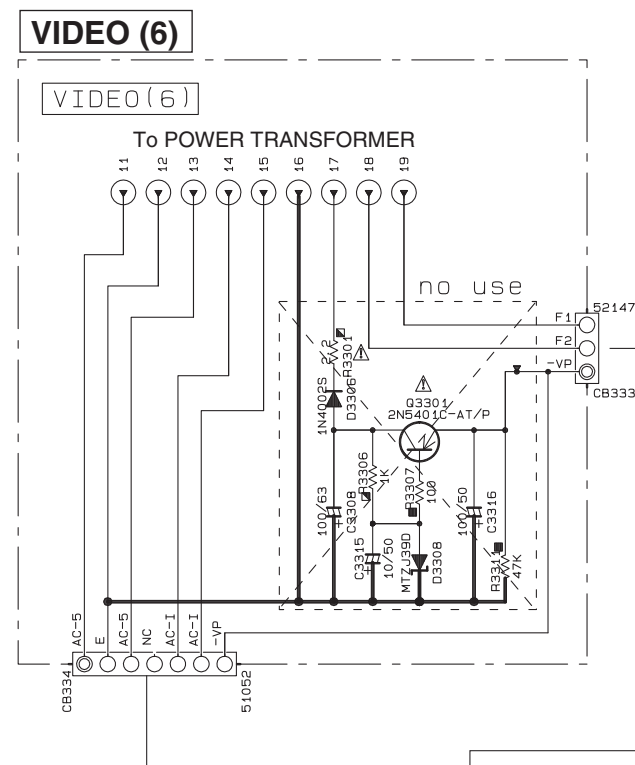
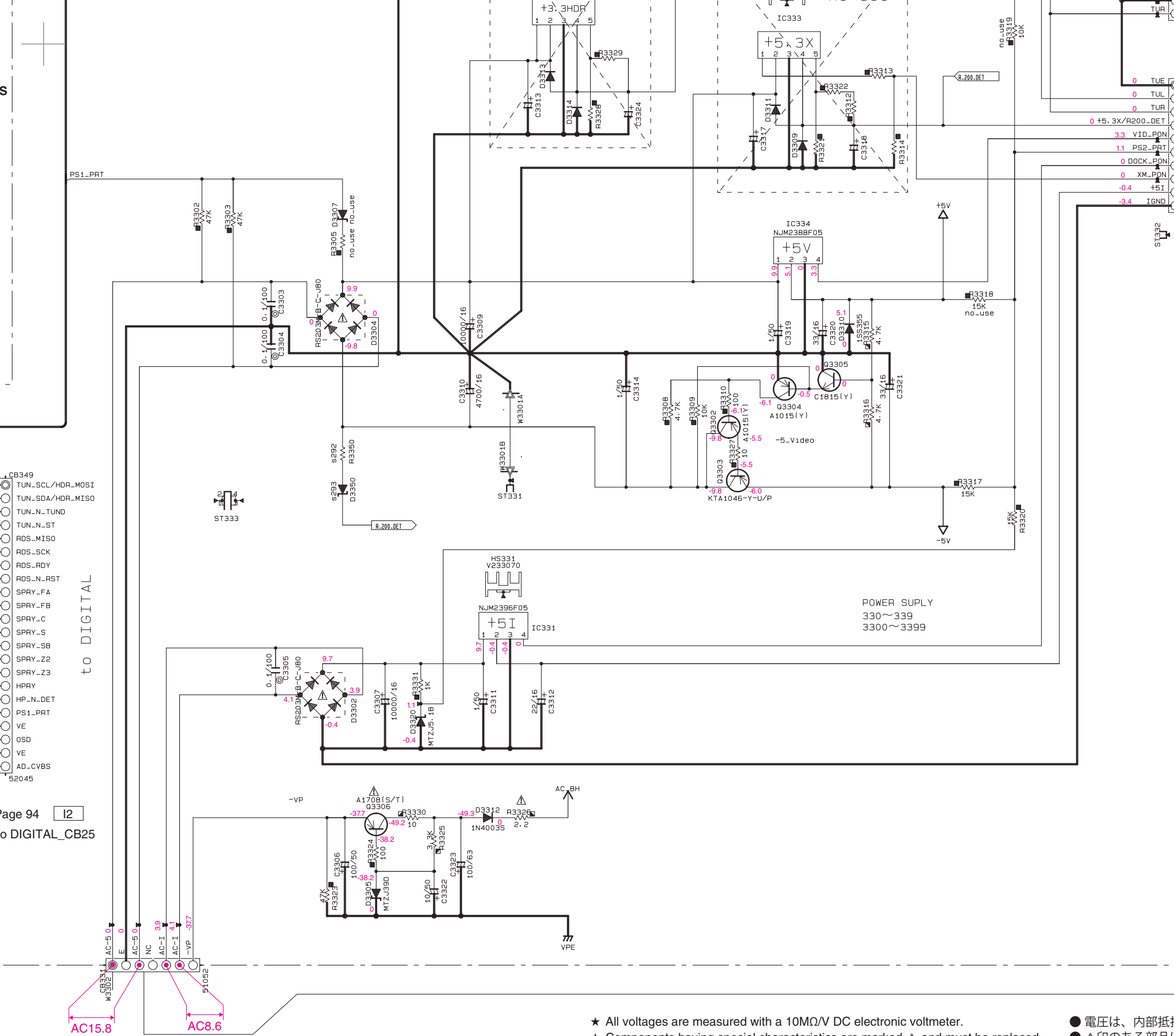
SURROUND BACK L/R / BI-AMP L/R

- TUN\_SCL 3.4
- TUN\_SDA 3.4
- TUN\_N\_TUND 3.4
- TUN\_N\_ST 3.3
- RDS\_MISO 0
- RDS\_SCK 0
- RDS\_RDY 0
- RDS\_N\_RST 0
- SPRY\_FB 3.3
- SPRY\_FB 3.3
- SPRY\_C 3.3
- SPRY\_S 3.3
- SPRY\_SB 3.3
- SPRY\_Z2 0
- SPRY\_Z3 0
- HPRY 0
- HP\_N\_DET 3.3
- PS1\_PRT 1.1
- VE 0
- OSD 0
- VE 0
- AD\_CVBS 0.3

Page 94 **I2**  
to DIGITAL\_CB2

10

A	B
C	D



Page 99 **K10**  
to OPERATION (2)\_CB460

Page 98 **H2**  
to OPERATION (1)\_CB405

★ All voltages are measured with a 10MΩ/V DC electronic voltmeter.  
 ★ Components having special characteristics are marked Δ and must be replaced with parts having specifications equal to those originally installed.  
 ★ Schematic diagram is subject to change without notice.

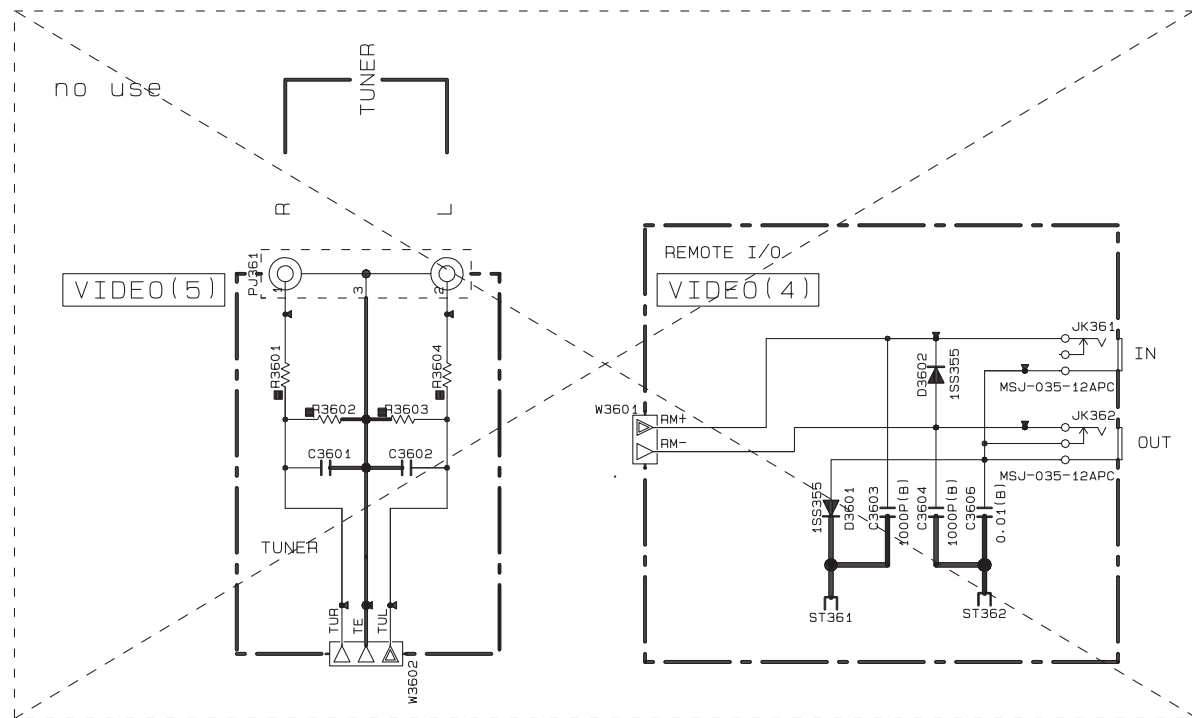
● 電圧は、内部抵抗 10MΩ の電圧計で測定したものです。  
 ● Δ印のある部品は、安全性確保部品を示しています。部品の交換が必要な場合、パーツリストに記載されている部品を使用してください。  
 ● 本回路図は標準回路図です。改良のため予告なく変更することがあります。

A	B
C	D

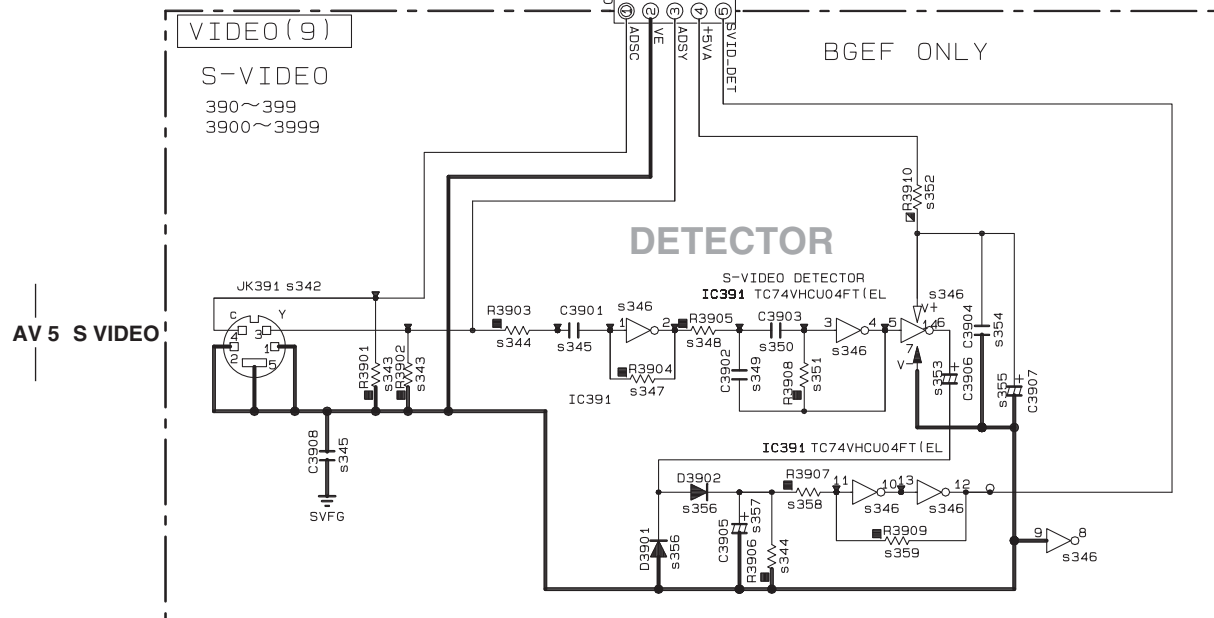
A	B
C	D

RX-V567/HTR-5063

VIDEO 3/3



Page 97 E1 to DIGITAL\_CB73



VIDEO (9) B, G, F models



VIDEO (7)

U, C, T, K, A, B, G, F, J models

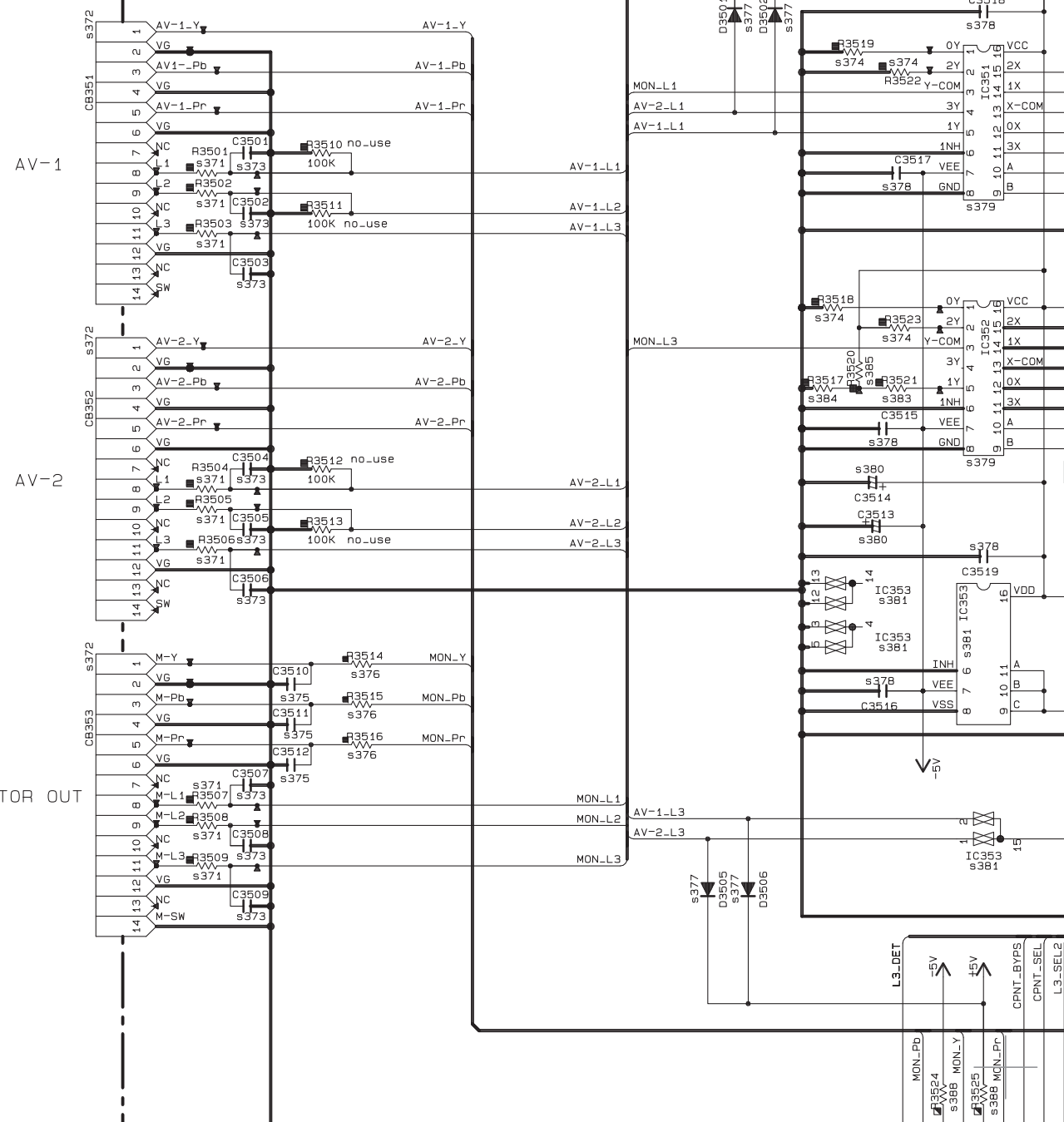
VIDEO (8)

D-TERMINAL

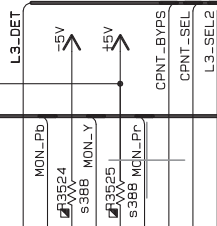
J ONLY

350~359  
3500~3599

LINE SELECTOR			L3 SELECTOR	
COMP_SEL	CBYAPASS	OUT	L3B	L3A
L	L	4B0I	L	L
L	H	AV-1	L	H
H	L	4B0I	H	L
H	H	AV-2	H	H



L1/L2 SELECTOR



H

I

J

K

L

M

N

Destination Part List

sXX	LOC	J	UC	R	T	A	BGF	L	K
s304	F3701	WB22120 6.00A125V	WB22120 6.00A125V	WB76060 T6.3AL250V	VV07170 T3.15AL250V	VV07170 T3.15AL250V	VV07170 T3.15AL250V	VV07170 T3.15AL250V	VV07170 T3.15AL250V
s309	W3701B W3701A	MH06625	MH06625	X	MH06625	MH06625	MH06625	X	MH06625
s310	W3702B W3702A	MH09625	MH09625	X	MH09625	MH09625	MH09625	X	MH09625
s311	CB378	X	X	VG87990 VHIS	X	X	X	VG87990 VHIS	X
s315	C3703	WR08200 100/220	WR08200 100/220	WR08210 100/400	WQ85250 68/400	WQ85250 68/400	WQ85250 68/400	WQ85250 68/400	WQ85250 68/400
s321	R3809	RD35000 0	RD35612 1.2K	RD35647 4.7K	RD35668 5. BK	RD35715 15K	RD35747 47K	RD35810 100K	RD35710 10K
s341	CB391	X	X	X	X	X	VQ04410 52044	X	X
s342	JK391	X	X	X	X	X	V693100 YKF51-5506V	X	X
s343	R3901 R3902	X	X	X	X	X	RD35475 75	X	X
s344	R3903 R3906	X	X	X	X	X	RD35710 10K	X	X
s345	C3908 C3901	X	X	X	X	X	US06410 0.01(B)	X	X
s346	IC391	X	X	X	X	X	XZ509A0 TC74VHC04FT(EL)	X	X
s347	R3904	X	X	X	X	X	RD35747 47K	X	X
s348	R3905	X	X	X	X	X	RD35647 4.7K	X	X
s349	C3902	X	X	X	X	X	US06212 120P(SL)	X	X
s350	C3903	X	X	X	X	X	US06222 220P(SL)	X	X
s351	R3908	X	X	X	X	X	RD35847 470K	X	X
s352	R3910	X	X	X	X	X	HV75322 2.2	X	X
s353	C3906	X	X	X	X	X	URB3710 10/16	X	X
s354	C3904	X	X	X	X	X	US13510 0.1/16	X	X
s355	C3907	X	X	X	X	X	UR21847 470/6.3	X	X
s356	D3902 D3901	X	X	X	X	X	VT33290 1SS355	X	X
s357	C3905	X	X	X	X	X	URB3747 47/16	X	X
s358	R3907	X	X	X	X	X	RD35715 15K	X	X
s359	R3909	X	X	X	X	X	RD35868 680K	X	X
s371	R3501 R3504 R3505 R3503 R3508 R3509 R3506 R3507 R3502	RD35510 100	X	X	X	X	X	X	X
s372	CB351 CB353 CB352	WD39840 YKF45-3011	X	X	X	X	X	X	X
s373	C3502 C3506 C3505 C3501 C3504 C3507 C3508 C3503 C3509	US06410 0.01(B)	X	X	X	X	X	X	X
s374	R3519 R3527 R3528 R3522 R3523 R3518	RD35710 10K	X	X	X	X	X	X	X
s375	C3511 C3510 C3512	US06080 8P(CH)	X	X	X	X	X	X	X
s376	R3515 R3514 R3516	RD35000 0	X	X	X	X	X	X	X
s377	D3502 D3504 D3506 D3505 D3503 D3501	VT33290 1SS355	X	X	X	X	X	X	X
s378	C3515 C3520 C3516 C3519 C3517 C3518	US13510 0.1/16	X	X	X	X	X	X	X
s379	IC352 IC351	XS790A0 TC74HC4052AF	X	X	X	X	X	X	X
s380	C3514 C3513	UR23710 10/16	X	X	X	X	X	X	X
s381	IC353	XYB79A0 TC74VHC04AF	X	X	X	X	X	X	X

RESISTOR

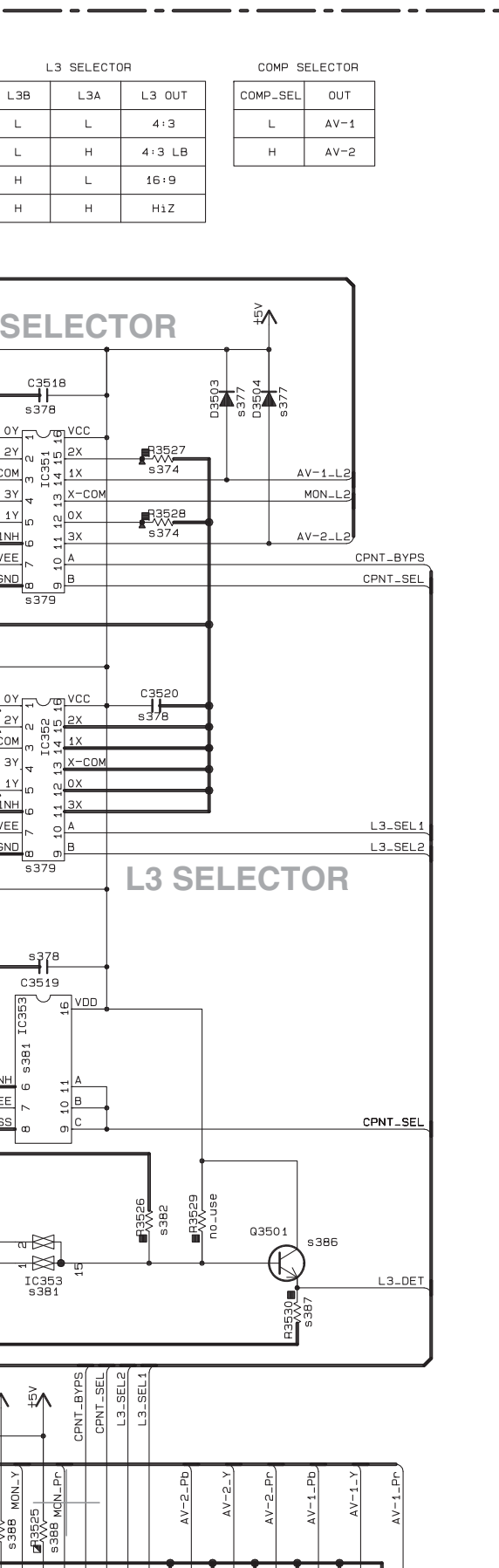
REMARKS	PARTS NAME
NO MARK	CARBON FILM RESISTOR (P=5)
☐	CARBON FILM RESISTOR (P=10)
△	METAL OXIDE FILM RESISTOR
▲	METAL FILM RESISTOR
⊠	METAL PLATE RESISTOR
⊞	FIRE PROOF CARBON FILM RESISTOR
□	CEMENT MOLDED RESISTOR
⊗	SEMI VARIABLE RESISTOR
■	CHIP RESISTOR

CAPACITOR

REMARKS	PARTS NAME
NO MARK	ELECTROLYTIC CAPACITOR
⊗	TANTALUM CAPACITOR
NO MARK	CERAMIC CAPACITOR
●	CERAMIC TUBULAR CAPACITOR
⊙	POLYESTER FILM CAPACITOR
○	POLYSTYRENE FILM CAPACITOR
①	MICA CAPACITOR
⊕	POLYPROPYLENE FILM CAPACITOR
●	SEMICONDUCTIVE CERAMIC CAPACITOR

NOTICE (model)

- (J)..... JAPAN
- (U)..... U.S.A
- (C)..... CANADA
- (R)..... GENERAL
- (T)..... CHINA
- (K)..... KOREA
- (A)..... AUSTRALIA
- (B)..... BRITISH
- (G)..... EUROPE
- (L)..... SINGAPORE
- (E)..... SOUTH EUROPE
- (V)..... TAIWAN
- (F)..... RUSSIAN
- (P)..... LATIN AMERICA



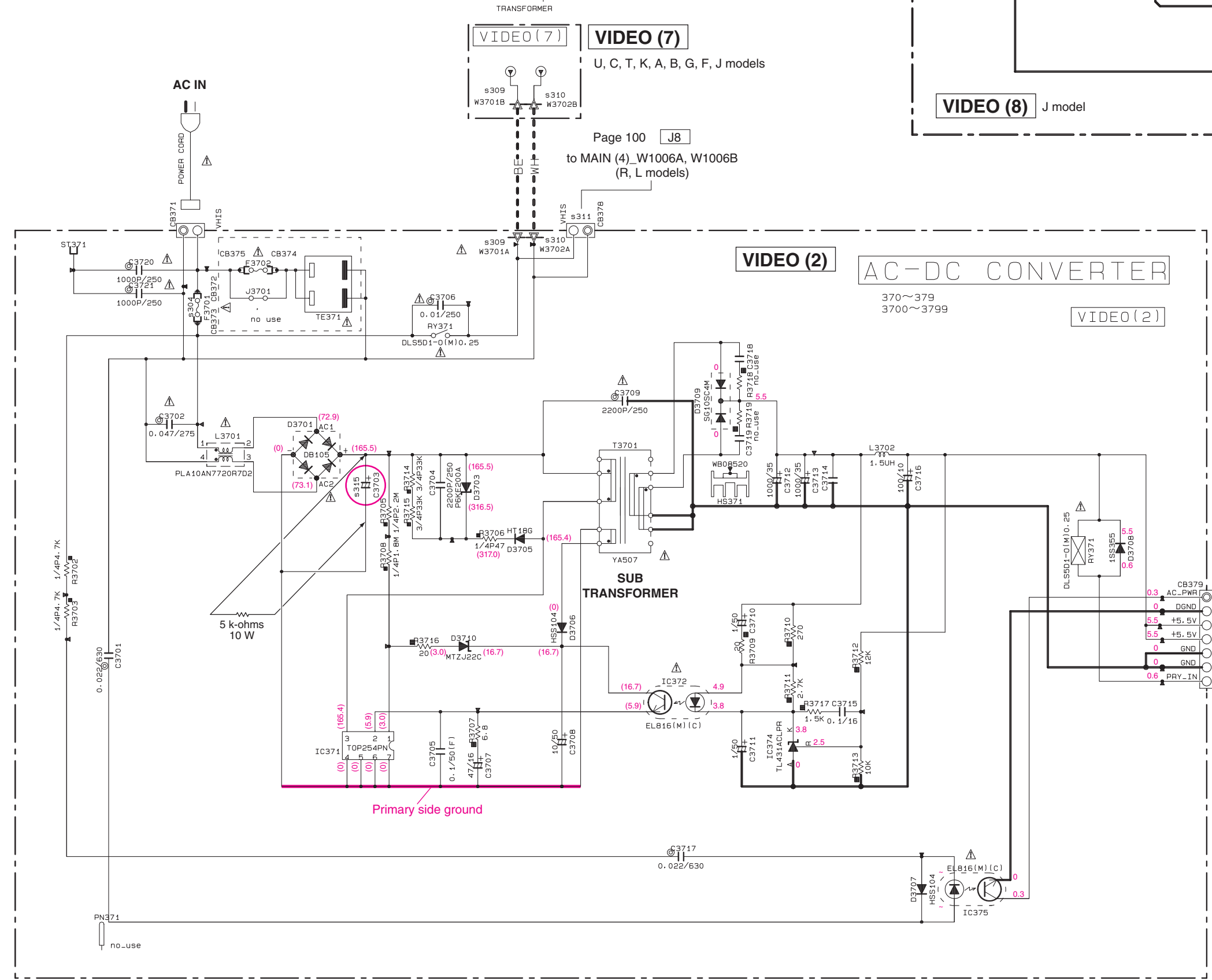
6

7

8

9

10



Notes)

**Safety measures**

- Some internal parts in this product contain high voltages and are dangerous. Be sure to take safety measures during servicing, such as wearing insulating gloves.
- Note that positions indicated below are dangerous even after the power is turned off because an electric charge remains and a high voltage continues to exist there. Before starting any repair work, perform discharge by connecting a discharge resistor (5k-ohms/10W) between terminals at following positions. The time required for discharging is about 30 seconds.  
C3703 on VIDEO (2) P.C.B.

注意)

**安全対策**

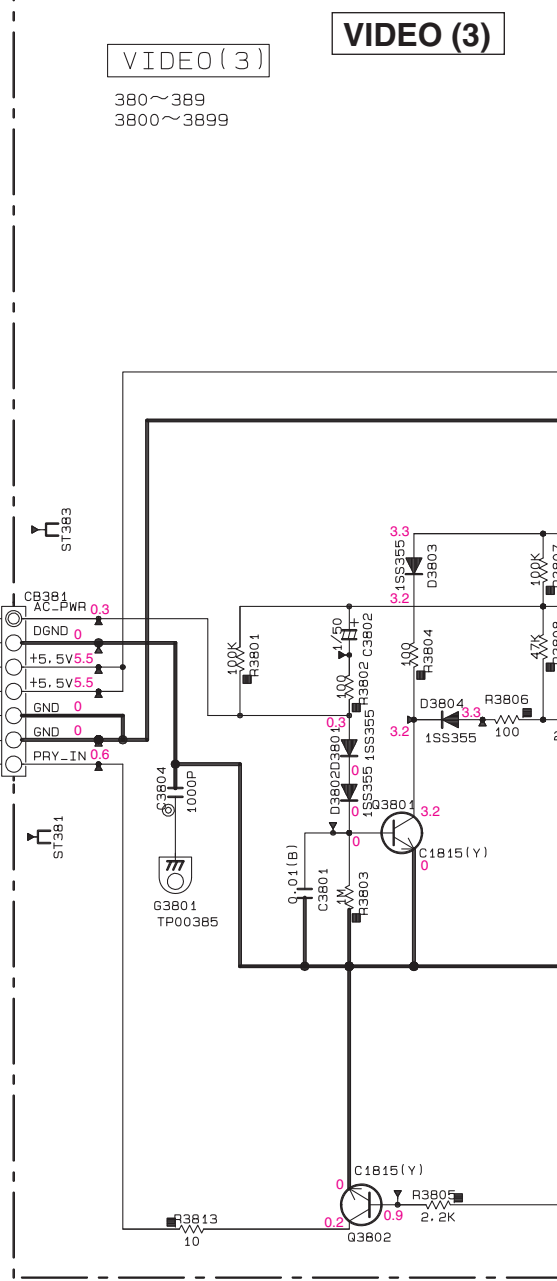
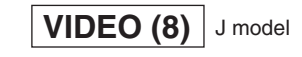
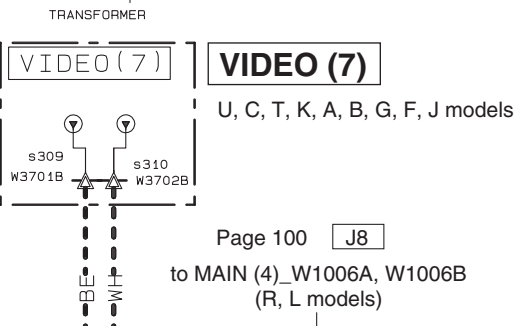
- この製品の内部には高電圧部分があり危険です。修理の際は、絶縁性の手袋を使用するなどの安全対策を行ってください。
- 下記箇所には電源を OFF にした後も電荷が残り、高電圧が維持されており危険です。修理作業前に放電用抵抗 (5 kΩ/10 W) を下記箇所の端子間に接続して放電してください。放電所用時間は約 30 秒です。  
VIDEO (2) P.C.B. の C3703

104

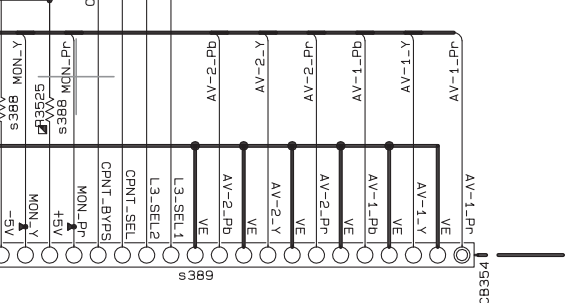
RX-V567/HTR-5063

A	B
C	D

VIDEO 3/3

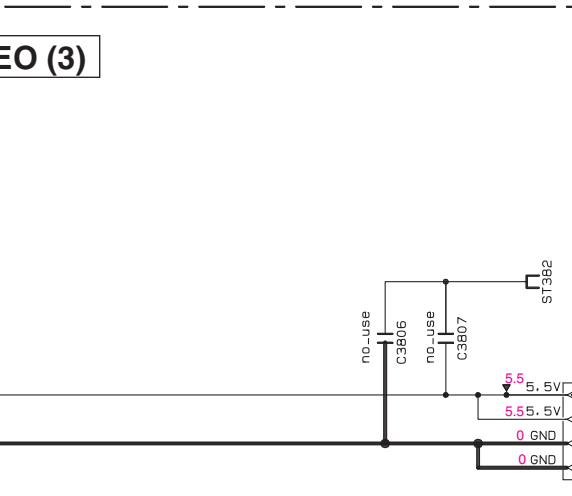






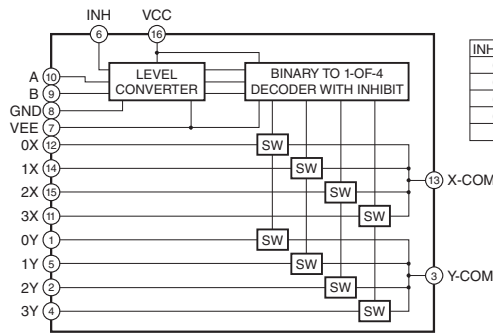
Page 102 **D2**  
to VIDEO (1)\_CB301

s379	IC352 IC351	XS790A0 TC74HC4052AF	X	X	X	X	X	X	X
s380	C3514 C3513	UR23710 10/16	X	X	X	X	X	X	X
s381	IC353	XY879A0 TC74HC4053AF	X	X	X	X	X	X	X
s382	R3526	RD35812 120K	X	X	X	X	X	X	X
s383	R3521	RD35633 3.3K	X	X	X	X	X	X	X
s384	R3517	RD35712 12K	X	X	X	X	X	X	X
s385	R3520	RD35715 15K	X	X	X	X	X	X	X
s386	Q3501	VV55640 C2412K (Q/R/S)	X	X	X	X	X	X	X
s387	R3530	RD35668 6.8K	X	X	X	X	X	X	X
s388	R3525 R3524	HV75310 1	X	X	X	X	X	X	X
s389	CB354	VQ04770 52045	X	X	X	X	X	X	X

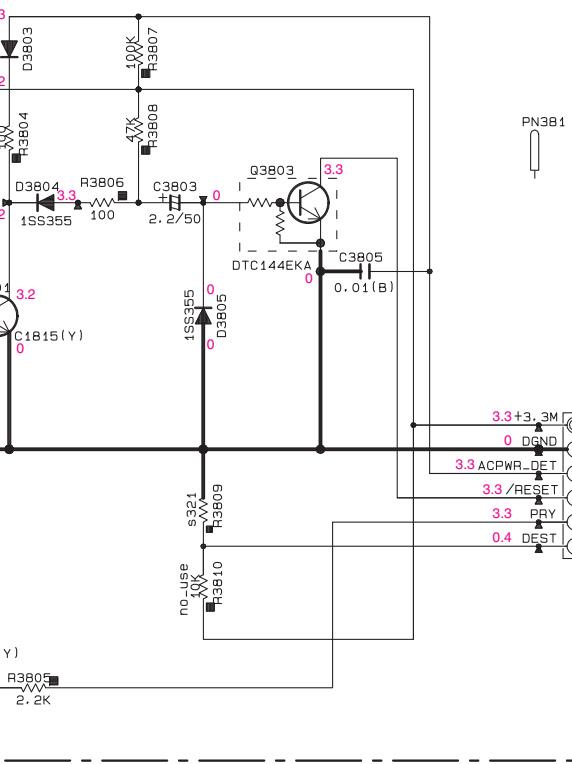
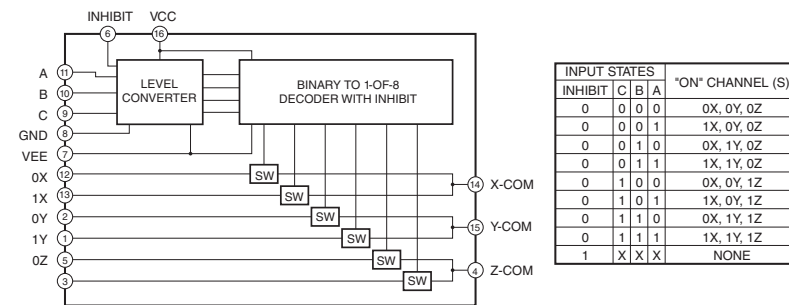


Page 93 **M8**  
to DIGITAL\_CB7

**IC351, 352: TC74HC4052AF**  
Analog multiplexer/demultiplexer

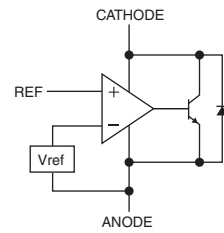


**IC353: TC74HC4053AF**  
Analog multiplexer/demultiplexer

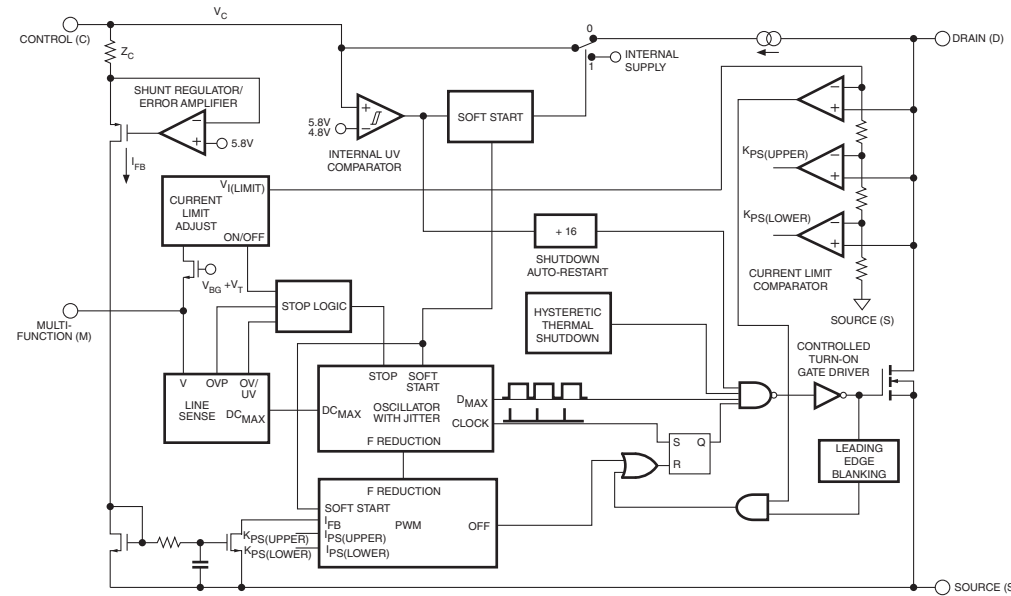


Page 94 **F2**  
to DIGITAL\_CB24

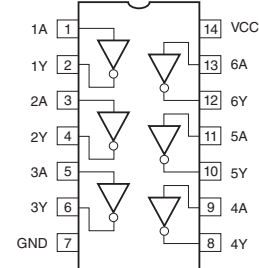
**IC374: TL431ACLPR**  
Adjustable precision shunt regulators



**IC371: TOP254PN**  
TOPswitch-HX



**IC391: TC74VHC04FT**  
Hex inverters



全対策を行ってください。  
動作時間は約 30 秒間です。

- ★ All voltages are measured with a 10MΩ/V DC electronic voltmeter.
- ★ Components having special characteristics are marked Δ and must be replaced with parts having specifications equal to those originally installed.
- ★ Schematic diagram is subject to change without notice.

- 電圧は、内部抵抗 10MΩの電圧計で測定したものです。
- Δ印のある部品は、安全性確保部品を示しています。部品の交換が必要な場合、パーツリストに記載されている部品を使用してください。
- 本回路図は標準回路図です。改良のため予告なく変更することがあります。